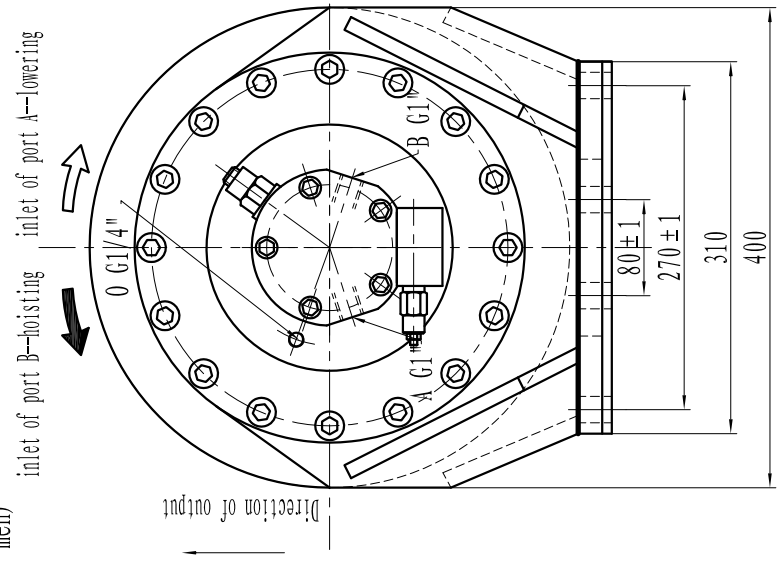
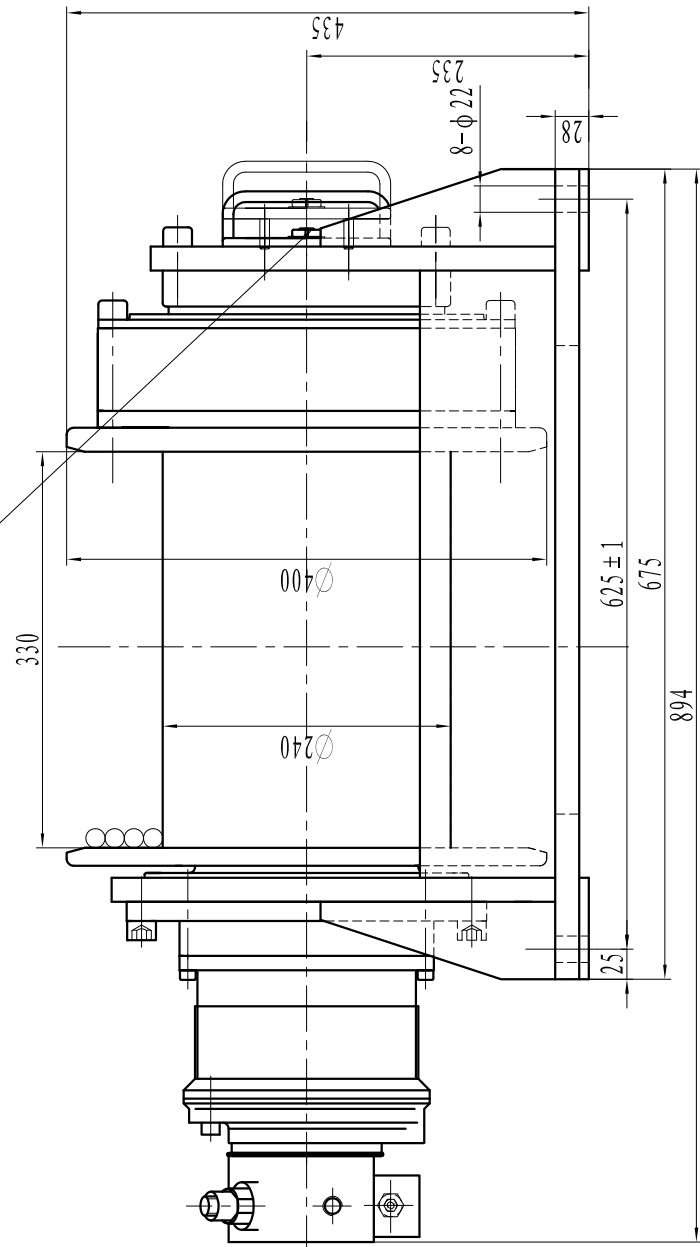


M874701
J02448W

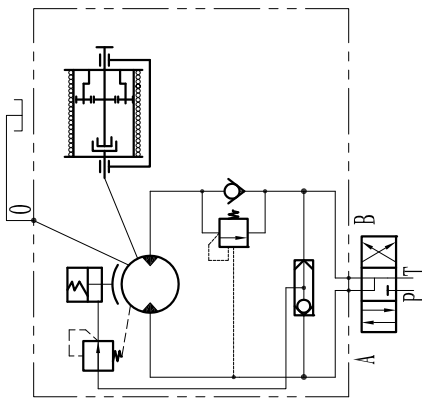
The drum can be running when the handle is dramed out (namely, The rope will be pulled out from drum by men)



Main Specification

pull on the first layer (kN)	100
speed at the first layer (m/min)	8.8
system pressure (MPa)	19
work pressure different (MPa)	17
diameter of rope (mm)	16
number of rope layers	4
total capability of drum (m)	73
displacement (ml/rev)	6192
pump flow (L/min)	75 ($\eta v=0.9$)
motor type	INM05-130D51
planetary gearbox type	KC2.54 (i=48)

Hydraulic principle diagram



iNi		NINGBO DINGANG INTL HYDRAULIC CO., LTD	
ISVJ2.54-100-73-16-ZPL		HYDRAULIC WINCH	
Designer	Standardization	Production phase	Weight
Drawn by		S	Scale
Reviewed by			1:6
Process engineer	Approved by	Total pages	page
			J02448W