



LittleDuck

# LAUNDRY EQUIPMENT

**Washer Extractor**

**Tumble Dryer**

**Flatwork Ironer**

**Flatwork Folder**

**Dry Cleaning Machine**

**Finishing Machine**

# AUTOMATIC WASHER EXTRACTOR



**SXT300FZQ (30kg)**  
**SXT500FZQ (50kg)**  
**SXT1000FZQ (100kg)**

- ☞ Soft Mount
- ☞ Heavy Duty
- ☞ Energy Saving
- ☞ Automatic Controlled
- ☞ 30 Programs

**RELIABILITY DURABILITY COST EFFECTIVE**

## DISTINCTIVE MACHINE STRUCTURES

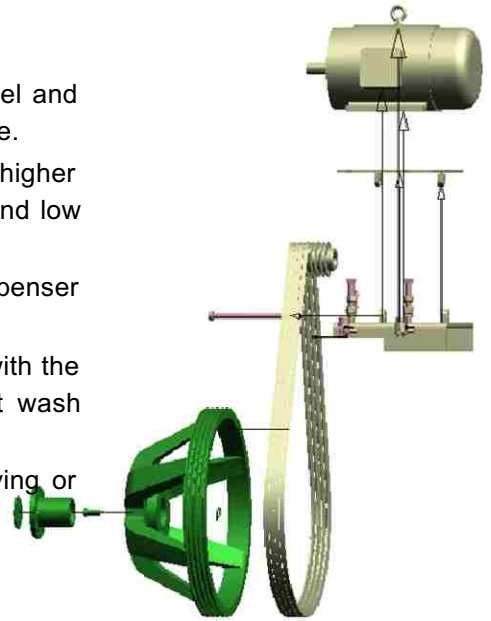
- Heavy duty suspension and frame system enhance tremendously the stability of the machine.
- More strong inner drum provides the guarantee for stable and reliable washing, which is able to meet all kinds of flatworks.
- UP to 30 wash programs incorporated with large LCD display, providing more flexibility for customer requirements.
- Self-diagnosis function enables quick and correct verification for errors.
- Big size loading door design makes simple and labor-saving loading and unloading possible.
- Reliable high-speed running is achieved through the adoption of heavy-duty bearing and water-seal which provides excellent extract result.
- Automatic soap flush system is utilized to avoid any soap residuals and achieve thorough flush.
- Soap self-supplying and dispensing device makes “one-key wash” possible, providing the advantages of worry-free, water saving, time saving and energy saving (optional upon customer’s demanding).



**XYLECATALOGUE2014-0516**

## PERFECT WASH FUNCTION AND ENERGY-SAVING DESIGN

- Adjustable settings for wash time, wash and rinse frequency, water level and temperature to meet different demands. Free training and simple to operate.
- Fish-eye design utilized for inner drum features smooth surface and higher stiffness providing perfect performance of high cleanliness to the cloth and low wear rate.
- Effective protection to the cloth is achieved through automatic soap dispenser by diluting the detergents prior to coming into the machine (optional item).
- VFD (Variable Frequency Drive) technology is adopted accompanying with the dedicated motor to provide perfect drive solution catering to different wash requirements.
- High extract G factor up to 300 enables excellent extract, shorten drying or ironing time and extend the flatwork's serving life.

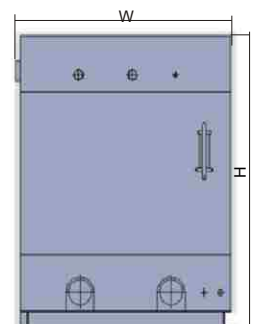
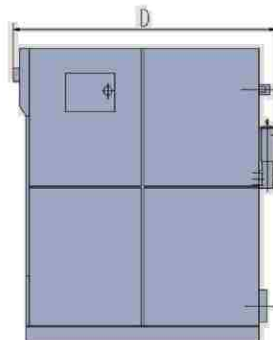
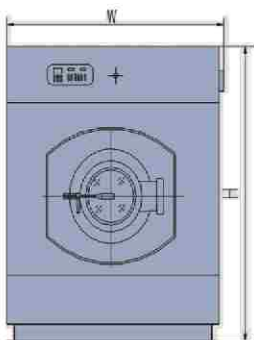


## SUPER CORROSION RESISTING PERFORMANCE

High quality stainless steel SUS304 is used for inner drum and stainless steel SUS316 for soap dispenser. All components contacting water are made of corrosion resisting material, which extend tremendously the machine's serving life.

## HUMANITY DESIGN

- Big-size door design to provide high efficiency.
- Easy unloading is achievable through pressing inching-button.
- Emergency button is easy accessible for any dangerous situations.
- Control panel is designed friendly to operators.
- Built-in lubrication system makes maintenance easy.
- Dual-inlets and dual-outlets design increase the washing efficiency (optional item).
- Switch between cold and hot water (optional item).
- Manual control is available for emergency washing saving customer's precious time (optional item).



## EASY INSTALLATION

- ☞ This kind of machine requires no special foundation prior to installation.
- ☞ The outer drum is suspended on four springs for a smooth, quiet operation. Vibration is virtually eliminated during extraction.

## STANDARD FEATURES

- Programmable computer control with up to 30 wash cycles
- Heavy duty frame and suspension system
- Soft mount - lower installation cost
- Reversing inverter drive
- High extraction speed up to 300+G - reduces drying time
- Heating resource: steam or electricity heating
- Industrial bearings and water seals
- Large door design for easy-to-operate of loading and unloading
- Frequency controlled motor for improving energy efficiency
- S/S 304 for all visible sides except for back panel
- Flushable soap dispensers
- Air-operated valves
- Protection for over-vibration
- Built-in lubrication design
- Easy-to-access emergency stop button



## OPTIONS

- ☞ Dual inlets hot water/cold water
- ☞ Dual drainage outlets for recycle & sewage water
- ☞ Manual control
- ☞ Automatic soap dispenser
- ☞ Front tilting for SXT1000



## WARRANTY

LittleDuck provides 12 months warranty for the automatic washer extractors, starting from custom declaration date on China Port.

## Specification for Automatic Washer Extractor

CAPACITY				
Max. Dry Weight Capacity	kg/lbs	30 / 70	50 / 110	100 / 220
Drum Diameter	mm	890	1020	1200
Drum Depth	mm	560	610	865
Drum Volume	Liter	348	500	980
DIMENSIONS				
Width	mm	1310	1630	1790
Depth	mm	1465	1620	1890
Height	mm	1635	1900	1900
WASHING/EXTRACTION				
Washing Speed	RPM	40	37	38
Distribution Speed	RPM	65	62	65
Low Extract Speed	RPM	400	400	400
High Extract Speed	RPM	800	750	700
Unloading Speed	RPM	15	15	15
G-factor of High Extract	G	318	320	328
Work cycle of Standard Mode	Min	50	50	50
Heated-steam		standard	standard	standard
Heated-electrical (optional)	Kw	18	27	63
CONNECTIONS				
Cold/Hot Water Inlet	mm, in	DN25, 1"	DN40, 1 1/2"	DN50, 2"
Steam Inlet	mm, in	DN25, 1"	DN25, 1"	DN25, 1"
Drain Outside Diameter for sewage	mm	φ76	φ110	φ110
Drain Outside Diameter for reuse (optional)	mm	φ76	φ110	φ110
Compressed Air	mm	φ8	φ8	φ8
PRESSURE				
Steam	MPa	0.4~0.6	0.4~0.6	0.4~0.6
Cold/Hot Water	MPa	0.2~0.3	0.2~0.3	0.2~0.3
Compressed Air	MPa	0.4~0.6	0.4~0.6	0.4~0.6
Power Supply				
Power Requirement	V/Ph/Hz	380~415 V/3Ph/50Hz		
Power Line Section (copper wire)	mm <sup>2</sup>	4	4	6
Motor Power	Kw	3.2	5.5	7.5
Inverter Power	Kw	3.7	7.5	11
Electrical Heating Power (optional)	Kw	18	27	63
CONSUMPTION				
Water consumption	L/cycle	580	900	1800
Steam consumption	Kg/cycle	24	30	60
Electricity consumption (steam heating model)	Kw/cycle	0.65	1.1	1.7
Noises	dB	<75	<75	<75
Net Weight				
	Kg	1080	1800	3000

All specifications subject to change without notice.

Shandong LittleDuck Group Co., Ltd.  
 Add: Gongye Nan Road, Jinan, Shandong, 250101 China  
 Tel: 0086-531-8312 2094, 8312 2068  
 Fax: 0086-531-88681524  
 Website: www.littleduckgroup.com.cn

# HEAVY DUTY WASHER EXTRACTOR



**SXT1000EZQ (100kg)**

**SXT1500FZQ (150kg)**

- ☞ Soft Mount
- ☞ Heavy Duty
- ☞ Front Tilting
- ☞ Energy Saving
- ☞ Automatic Controlled
- ☞ 30 Programs

## RELIABILITY DURABILITY COST EFFECTIVE

### MICROCOMPUTER CONTROLLED

**LittleDuck** heavy duty washer extractor features a user friendly touch screen LCD microcomputer control. This computer controls all functions of the machine and can be programmed to provide complete flexibility for all your laundry requirements. Simple, stepped programming allows the operator exact, functional control for up to 30 programs. The drum speed for wash, distribution and extraction can be controlled to handle whatever type of laundry you may want to process. Common formulas are preset for immediate use and can be modified as required. Software update can be installed via laptop PC so your operating system is easily kept up-to-date. Troubleshooting is a breeze with built-in fault monitoring. For real operator flexibility and control, the model comes standard with emergency manual override controls no more down time in the event of a computer failure.



**XYLECATALOGUE2014-0516**





## UNLOADING SYSTEM

The heavy duty washer extractor has an automatic unloading device, when washing finished, the two cylinders installed in back will be raised up to 15 degrees, the entire washer extractor will be tilt to the front of the machine, and running with a low speed 10rpm to make the washed textile out of machine reducing tremendously the operator's labor.

## FREQUENCY INVERTER DRIVE

Standard on the heavy duty washer extractor is a frequency inverter drive. This enables wash and extract speeds to be programmed through the computer, giving complete control of the wash and extract cycles as well as resulting in energy savings. A single motor drive eliminates clutches and gear reducers and also provides for a quieter, smoother operation. Fewer parts also means less maintenance.



## SUPER CORROSION RESISTING PERFORMANCE

- High quality S/S304 is used for inner drum and S/S316 for soap dispenser.
- All components contacting water are made of corrosion resisting material, which extend tremendously the machine's serving life.
- Fish-eye design utilized for inner drum features smooth surface and higher stiffness providing perfect performance of high cleanliness to the cloth and low wear rate.

## HEAVY DUTY FRAME & SUSPENSION SYSTEM

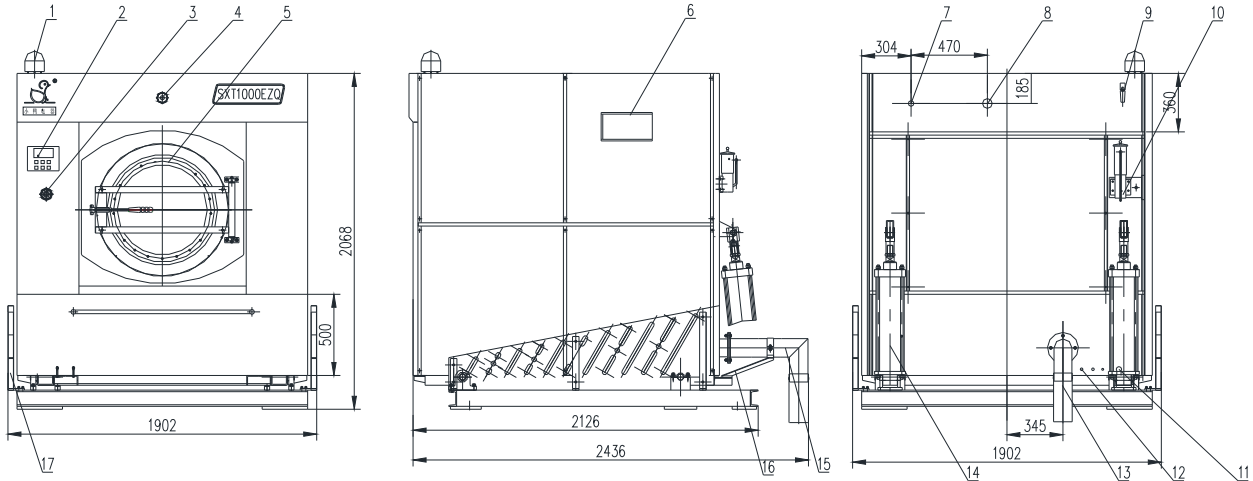
Simple by design, but built to industrial standards. LittleDuck soft mount washer extractor sets a new benchmark for the laundry industry. Under the panels of any soft mount washer you will see what defines the machine its frame and suspension system. If this is not designed correctly then nothing else matters. One look will also show you why our washer extractor net weigh more than most all other comparable washers in some cases 100% more. All LittleDuck soft mount washers are heavy-duty commercial machines built to stand the test of time. Four heavy coiled springs are located on each corner of the frame, coupled with four industrial strength shock absorbers, evenly distributing the dynamic forces to give a smooth wash and extraction. This solid, rugged frame provides the platform for a tough and reliable machine.



## EASY INSTALLATION

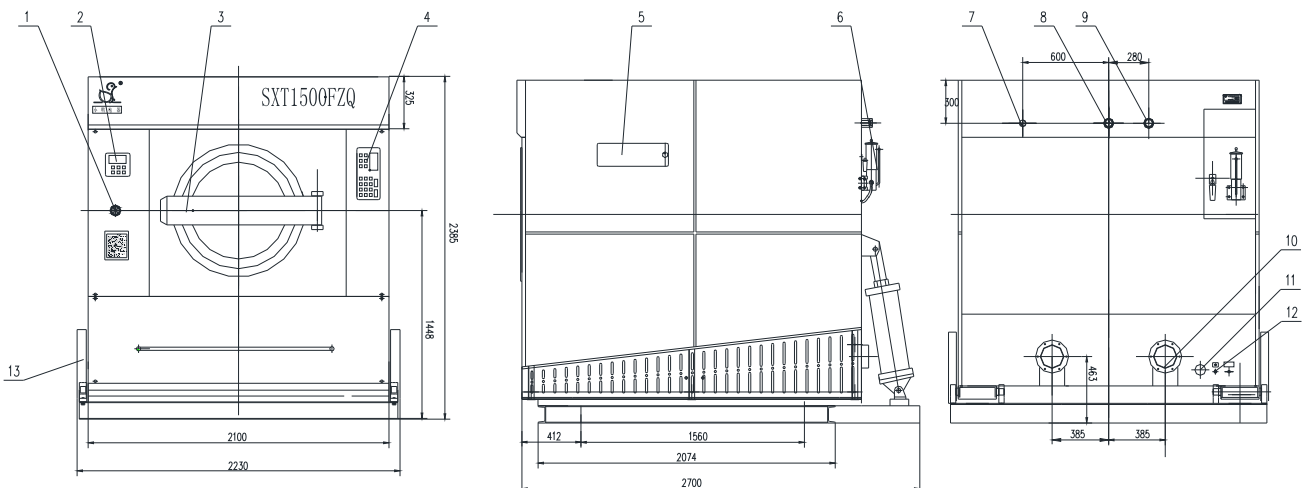
This machine requires no special foundation prior to installation. The outer drum is suspended on four springs for a smooth, quiet operation. Vibration is virtually eliminated during extraction.

### Heavy Duty Washer Extractor SXT1000EZQ, Capacity 100kg



- |                       |                             |                   |                          |
|-----------------------|-----------------------------|-------------------|--------------------------|
| 1. alarm lamp         | 2. microcomputer controller | 3. emergency stop | 4. door interlock switch |
| 5. door               | 6. soap dispenser           | 7. steam inlet 1" | 8. cold water inlet 2"   |
| 9. air operated valve | 10. lubricant pump          | 11. power input   | 12. earth terminal       |
| 13. drain             | 14. cylinder                | 15. bent pipe     | 16. support              |
| 17. guard             |                             |                   |                          |

### Heavy Duty Washer Extractor SXT1500FZQ, Capacity 150kg



- |                       |                             |                       |                        |
|-----------------------|-----------------------------|-----------------------|------------------------|
| 1. emergency stop     | 2. microcomputer controller | 3. door               | 4. manual controller   |
| 5. soap dispenser     | 6. lubricant pump           | 7. steam inlet 1 1/2" | 8. cold water inlet 2" |
| 9. hot water inlet 2" | 10. drain (Di.160mm)        | 11. power input       | 12. earth terminal     |
| 13. guard             |                             |                       |                        |



## HUMANITY DESIGN

- Big-size door design to provide high efficiency.
- Easy unloading is achievable through pressing inching-button.
- Tilting device is available for SXT1500FZQ and SXT1000EZQ.
- Emergency button is easy accessible for any dangerous situations.
- Control panel is designed friendly to operators.
- Built-in lubrication system makes maintenance easy.
- Dual-inlets and dual-outlets design increase the washing efficiency (optional item).
- Switch between cold and hot water (optional item).
- Manual control is available for emergency washing saving customer's precious time (optional item).
- No flexible connections are required on the washer extractor as all utility connections are mounted on the frame base.

## STANDARD FEATURES

- Microcomputer controlled - standard with customized wash cycles
- Programmable on site with manual button operation
- Soft mount - lower installation cost
- Heavy duty suspension
- Programmable high extraction speeds of up to 300G - reduces drying time
- High build quality
- Industrial bearings and water seals
- Large door design for easy-to-operate of loading and unloading
- Front tilting design for faster unloading- ease of single person operation
- Frequency controlled motor for improving energy efficiency.
- S/S 304 for all visible sides except for back panel
- Dual filling function for hot water or cold water
- Steam heating
- Dual draining function for reuse system, water saving
- Flushable soap dispensers
- Air-operated valves
- Protection for over-vibration
- Built-in lubrication design
- Easy-to-access emergency stop button.

## WARRANTY

LittleDuck provides 12 months warranty for the heavy duty washer extractors, starting from custom declaration date on China Port.



SXT1000EZQ, 100kg/220lbs capacity



SXT1500FZQ, 150kg/330lbs capacity



Operating Condition in Tilting

## Specification for Heavy Duty Washer Extractor

Model Number	SXT1000EZQ		SXT1500FZQ	
<b>CAPACITY</b>				
Dry Weight Capacity	100 kg	220 lbs	150 kg	330 lbs
Drum Diameter	1200 mm	47 <sup>1</sup> / <sub>4</sub> inches	1480 mm	58 <sup>1</sup> / <sub>4</sub> inches
Drum Depth	870 mm	34 <sup>1</sup> / <sub>4</sub> inches	870 mm	34 <sup>1</sup> / <sub>4</sub> inches
Drum Volume	983 L	34.71 cu.ft.	1496 L	52.83 cu.ft.
<b>DIMENSIONS</b>				
Width	1902 mm	74 <sup>7</sup> / <sub>8</sub> inches	2230 mm	87 <sup>3</sup> / <sub>4</sub> inches
Depth	2436 mm	95 <sup>5</sup> / <sub>6</sub> inches	2765 mm	108 <sup>5</sup> / <sub>6</sub> inches
Height	2068 mm	81 <sup>5</sup> / <sub>12</sub> inches	2385 mm	93 <sup>7</sup> / <sub>8</sub> inches
<b>WASHING/EXTRACTION</b>				
Washing Speed	38 rpm	38 rpm	28 rpm	28 rpm
Distribution Speed	65 rpm	65 rpm	56 rpm	56 rpm
Low Extract Speed	400 rpm	400 rpm	320 rpm	320 rpm
High Extract Speed	700 rpm	700 rpm	600 rpm	600 rpm
Unloading Speed	15 rpm	15 rpm	10 rpm	10 rpm
G-factor of High Extract	328 G	328 G	300 G	300 G
Work cycle of Standard Mode	50 min	50 min	50 min	50 min
Heated	steam heating	steam heating	Steam heating	Steam heating
<b>CONNECTIONS</b>				
Cold water Inlet	DN 50	2 inches	DN 50	2 inches
Hot water Inlet	DN 50 (optional)	2 inches(optional)	DN 50	2 inches
Steam Inlet	DN 25	1 inch	DN 40	1 ½ inches
Drain Outside Diameter for sewage	φ 110	4 inches	φ 160	6 inches
Drain Outside Diameter for recycling	φ 110 (optional)	4 inches(optional)	φ 160	6 inches
Compressed Air	φ 8	Di. 8mm	φ 10	Di. 10mm
<b>PRESSURE</b>				
Steam	0.4~0.6 Mpa	58~87 psi	0.4~0.6 Mpa	58~87 psi
Cold Water	0.2~0.4 Mpa	30~58 psi	0.2~0.4 Mpa	30~58 psi
Compressed Air	0.4~0.6 Mpa	58~87 psi	0.6~0.8 Mpa	87~116 psi
<b>Power Supply</b>				
AC Voltage	380/415 Volt	380/415 Volt	380/415 Volt	380/415 Volt
Line Frequency	50Hz	50Hz	50Hz	50Hz
Phase	3 Phase	3 Phase	3 Phase	3 Phase
<b>CONSUMPTION</b>				
Motor Power	8.5 Kw	12 HP	30 Kw	40 HP
Water consumption	1800 Liters/cycle	1800 Liters/cycle	2200 liters/cycle	2200 liters/cycle
Steam consumption	60 kg/cycle	132 lbs/cycle	90 kg/cycle	198 lbs/cycle
Electricity consumption for standard cycle	1.7 Kw/cycle	1.7 Kw/cycle	6 Kwh/cycle	6 Kwh/cycle
Noises	<75 dB	<75 dB	<75 dB	<75 dB
<b>Net Weight</b>	<b>3500 Kg</b>	<b>7700 lbs</b>	<b>5800 Kg</b>	<b>12760 lbs</b>

All specifications subject to change without notice.

Shandong LittleDuck Group Co., Ltd.  
 Add: Gongye Nan Road, Jinan, Shandong, 250101 China  
 Tel: 0086-531-8312 2094, 8312 2068  
 Fax: 0086-531-88681524  
 Website: www.littleduckgroup.com.cn

# AUTOMATIC TUMBLE DRYER



**HG30 (30KG)**

**HG50 (50KG)**

**HG100 (100KG)**

- Steam Heating
- Electrical heating
- LPG/Natural Gas Heating

**RELIABILITY DURABILITY COST EFFECTIVE**

## THINKING MORE FOR SIMPLE OPERATION

- ★ Big size door simplify tremendously the loading and unloading job, save quite a lot of labor for your operators.
- ★ Drawer-type fluff collector provides not only enough air flow for drying process, but feasibility of easy cleaning.
- ★ Thermal insulation and air cooling are applied to keep all the panels typically the front panel cool, not to burn your operators. Additionally the heat radiated to its external environment is decreased tremendously so as not to make your laundry room too hot. If you do not want to hear your employees' complaints, it's a smart decision to install Little Duck dryer.
- ★ Two levels V-belt transmission provides stable operation and easy maintenance. V-belt transmission has obvious advantages of low noise, stability and easy-to-maintain.



Steam Heating Type



## FAST DRYING AND LOW COST

- ⌚ Superior quality copper heat radiator features long life, fast heat transfer and prompt temperature increase. All these features shorten the whole drying cycle which means lower running cost for your business.
- ⌚ High perforated rate and unique “VENTURI” solution work together to achieve best drying result with lowest energy consumption.

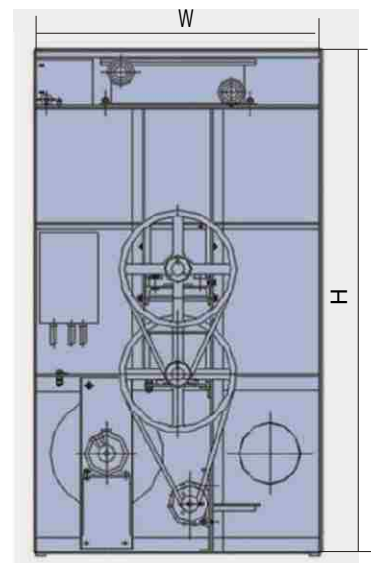
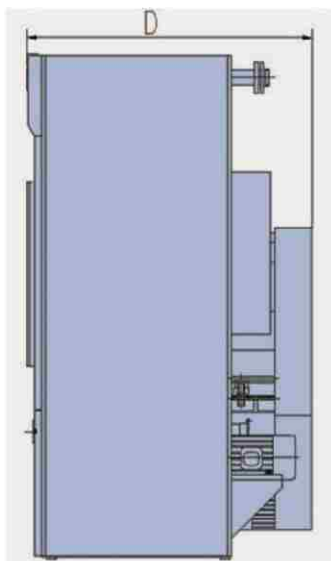
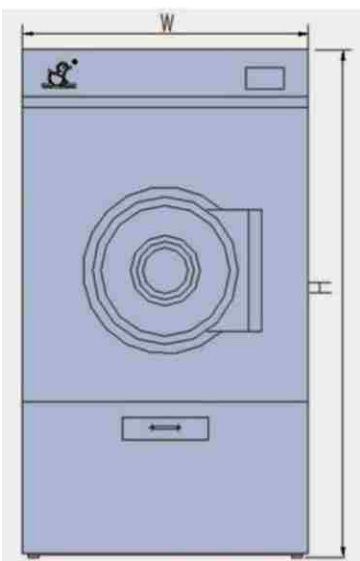
## COMPUTER CONTROL SYSTEM MAKES DRYING PROCESS SIMPLE

Programmable drying cycles are achievable through microcomputer control system optimizing the drying process for best results. It's easy and simple to adjust the drying cycle settings upon different textiles, including temperature, humidity, drying and cooling down time.



## PRECISE TEMPERATURE CONTROL FOR PERFECT DRYING RESULT

Little Duck Tumble Dryer monitor the inside temperature using fuzzy control technology. The machine has two sensors, one is to monitor the air inlet temperature and the other one to sense the air outlet humidity. This can help to avoid over-drying and less-drying so as to create perfect drying result and protect customers' assets.



## STANDARD FEATURES

- ⊗ Easy to operate with computer control;
- ⊗ Thermal insulation and air cooling applied to keep the panels cool and protect the operators from burning;
- ⊗ Big-size door design for easy loading and unloading;
- ⊗ High quality copper heat-radiator enables excellent heat conduction and fast temperature increase to shorten the drying time significantly;
- ⊗ Stainless steel tumble with high perforated rate ensuring high drying efficiency;
- ⊗ Precise temperature control protects textiles from over-drying;
- ⊗ Adjustable temperature and drying time upon different textiles;
- ⊗ Stainless steel visible panels;
- ⊗ Drawer-type fluff collector makes cleaning more easy;
- ⊗ Two levels V-belt transmission provides stable operation and easy maintenance;
- ⊗ Steam heating.

## WARRANTY

LittleDuck provides 12 months warranty for the automatic tumble dryers, starting from custom declaration date on China Port.



## OPTIONS

- ☞ Painted visible panels
- ☞ Electrical heating
- ☞ Combination of steam and electricity
- ☞ Gas heating with world-class burner

## Specification for HG Series - Steam Heating Type

Model No.	Unit	HG30	HG50	HG100
<b>CAPACITY</b>				
Dry Weight Capacity	Kg/lbs	30/65	50/110	100/220
Cylinder Diameter	mm	1080	1160	1620
Cylinder Depth	mm	655	955	955
Cylinder volume	dm <sup>3</sup>	600	1009	1968
Cylinder speed	rpm	36	36	30
Heating type		steam	steam	steam
<b>DIMENSION</b>				
Width	mm	1210	1290	1820
Depth	mm	1250	1510	1710
Height	mm	2000	2060	2460
<b>POWER</b>				
Driving motor	Kw	0.55	0.75	3
Fan motor	Kw	1.1	1.1	1.5
Electrical heater	Kw	optional	optional	optional
Total power	Kw	1.65	1.85	4.5
<b>POWER SUPPLY</b>				
AC Voltage	V	380/415V	380/415V	380/415V
Line Frequency	Hz	50	50	50
Phase	P	3	3	3
<b>PRESSURE &amp; CONSUMPTION</b>				
Steam pressure	Mpa	0.4-0.6	0.4-0.6	0.4-0.6
Steam consumption	kg/cycle	36	60	120
<b>CONNECTIONS</b>				
Steam Inlet	Di. mm	25	25	32
Steam outlet	Di. mm	25	25	32
Exhaust Air	Di. mm	Φ300	Φ300	Φ310
Net Weight	Kg	450	540	1310

All specifications subject to change without notice.

Shandong LittleDuck Group Co., Ltd.  
 Add: Gongye Nan Road, Jinan, Shandong, 250101 China  
 Tel: 0086-531-8312 2094, 8312 2068  
 Fax: 0086-531-88681524  
 Website: www.littleduckgroup.com.cn



## Specification for HG\*D Series - Electrical Heating Type

Model No.	Unit	HG30D	HG50D	HG100D
<b>CAPACITY</b>				
Dry Weight Capacity	Kg/lbs	30/65	50/110	100/220
Cylinder Diameter	mm	1080	1160	1620
Cylinder Depth	mm	655	955	955
Cylinder volume	dm <sup>3</sup>	600	1009	1968
Cylinder speed	rpm	36	36	30
Heating type		Electrical	Electrical	Electrical
<b>DIMENSION</b>				
Width	mm	1210	1290	1820
Depth	mm	1250	1510	1710
Height	mm	2000	2060	2460
<b>POWER</b>				
Driving motor	Kw	0.55	0.75	3
Fan motor	Kw	1.1	1.1	1.5
Electrical heater	Kw	24	45	90
Total power	Kw	25.65	46.85	94.5
<b>POWER SUPPLY</b>				
AC Voltage	V	380/415V	380/415V	380/415V
Line Frequency	Hz	50	50	50
Phase	P	3	3	3
<b>PRESSURE &amp; CONSUMPTION</b>				
Steam pressure	Mpa	/	/	/
Steam consumption	kg/cycle	/	/	/
<b>CONNECTIONS</b>				
Steam Inlet	Di. mm	/	/	/
Steam outlet	Di. mm	/	/	/
Exhaust Air	Di. mm	Φ300	Φ300	Φ310
Net Weight	Kg	460	560	1330

All specifications subject to change without notice.

# CYLINDER-HEATED IRONER



**TBI: Single-cylinder ironer**  
**TBII: Double-cylinder ironer**  
**TBIII: Triple-cylinder ironer**

**Flatwork Ironer**

**Cylinder Qty.: 1, 2 or 3**

**Steam Heating:**

Ironing Width: 3000mm, 3300mm

**Electrical Heating**

Ironing Width: 2800mm, 3000mm

**RELIABILITY DURABILITY COST EFFECTIVE**

## CREATING MORE VALUE FOR CUSTOMERS

- ⚙️ High quality stainless steel cylinders are utilized for the machine with the features of not only long and reliable serving life, but high heat transmission efficiency, which enables the surface temperature increase faster and improve significantly the ironing speed. The faster the ironing speed is, the more value is created for owners.
- ⚙️ Unique wrap angle up to 330 degree, max in domestic market, is designed to achieve bigger contact area between the cylinder surface and flatworks being ironed, which makes incomparable ironing quality and speed possible.
- ⚙️ Independent steam trap and manual valve for each heating cylinder ensure almost 100% saturated steam inside the cylinder and no condensate water left, providing high and consistent surface temperature, which is the guarantee for reliable and high quality ironing performance. This technology is able to avoid completely condensate water residual problem. The condensate water left inside the cylinder causes serious ironing problem of surface temperature drop, as well as additional burden to transmission system.



**XYLECATALOGUE2014-0516**

## HUMANITY DESIGN ENABLES EASY OPERATION, LESS TRAINING

- ❑ One knob is the all to run the machine through the adoption of VFD (variable frequency drive) technology. VFD provides totally variable speed throughout the entire speed range. Anyone who has skill of twisting the tap is able to finish all the ironing operation. The operator can adjust the machine speed through simple knob rotation to meet different textiles to be ironed, all other complicated jobs can be done by our VFD system.
- ❑ Principle of human engineering makes it possible for the machine to cater to most of the operators. The operation of 1350mm is the ideal solution to labor-saving and relaxed ironing job.
- ❑ The machine is equipped with safety switch to cut off the machine and protect operator's safety and owner's asset in case the finger safeguard board is pushed forward.
- ❑ Broad voltage design ensures the feasibility for the machine to run under the circumstance that external voltage varies. For many occasions the power supply varies due to some reasons, the machine is still able to provide excellent operation.
- ❑ Available LPG/Natural gas or pure electricity heated to meet your particular requirements.



## STABLE AND RELIABLE OPERATION IS ACHIEVED

- ❖ NOMEX high temperature ironing belts withstand temperature of up to 200°C giving you improved quality and prolonging life of your machine. Comparing to the traditional ironer with separation pins, Little Duck ironer is equipped with additional supporting roller avoiding completely the wear of ironing belts which extends the serving life of belts significantly.
- ❖ Heavy duty frame structure of the machine provides superior strength ensuring stable operation for long time.
- ❖ Chain transmission system is utilized with the features of stable and low noise driving, which is easy to maintain and repair. Chain driving has incomparable advantages of precise transmission ratio, long life and reliability.
- ❖ Top brand revolving joints help to increase the stability and reliability of the machine.
- ❖ All feeding rollers are seamless stainless steel tube featuring small deformation and long life comparing to the welded tube. Zinc coating is applied to all pressure rollers increasing the capability of corrosion resisting tremendously.



## STANDARD FEATURES

- Computer-controlled system for easy operation.
- Stainless steel drying cylinder featuring high heat-transmission efficiency and long serving life.
- Adjustable speed control to suit for different textiles.
- Max. wrap angle up to 330 degree achieving best ironing result.
- Independent steam trap for each cylinder improving significantly heat transmission and ironing speed.
- Top brand revolving joint ensuring stable and reliable operation.
- Low noise and reliable design by chain transmission.
- Heavy duty frame design providing stable running.
- Seamless tube for all deeding rollers ensuring small deformation and long life.
- Broad voltage design ( +/- 10%) makes wide range of application possible.
- Finger safeguard board with safety switch protects operators from hurting.
- Ideal height design of 1350mm for people-friendly operation.
- Steam heating



## OPTIONS

- Electrical heating
- LPG/Natural Gas heating

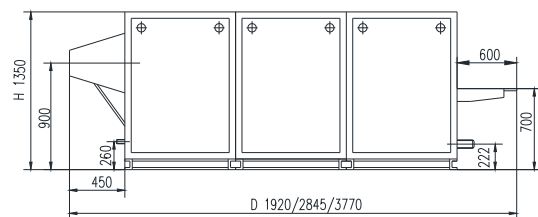
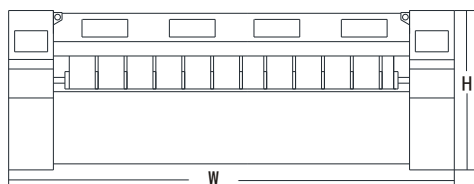
## WARRANTY

LittleDuck provides 12 months warranty for the cylinder-heated ironers, starting from custom declaration date on China Port.

## Specification for TB Series - Steam Heating Type

Model No.	Unit	TBI3000	TBII3000	TBIII3000	TBI3300	TBII3300	TBIII3300
<b>CYLINDER</b>							
Max. Ironing Width	mm	3000	3000	3000	3300	3300	3300
Ironing Speed	m/min	≤12	≤24	≤30	≤12	≤24	≤30
Cylinder Quantity		1	2	3	1	2	3
Cylinder Diameter	mm	800	800	800	800	800	800
Heating Type		steam	steam	steam	steam	steam	steam
<b>STEAM</b>							
Steam Pressure	Mpa	≤0.7	≤0.7	≤0.7	≤0.7	≤0.7	≤0.7
Steam Consumption	Kg/h	≤95	≤190	≤285	≤105	≤210	≤300
Steam Inlet	DN, mm	50	50	50	50	50	50
Drainage Outlet	DN, mm	25	25	25	25	25	25
<b>POWER</b>							
AC Voltage	V	380/415V	380/415V	380/415V	380/415	380/415V	380/415V
Line Frequency	Hz	50	50	50	50	50	50
Phase	P	3	3	3	3	3	3
Motor Power	kw	0.75	1.5	1.5	0.75	1.5	1.5
<b>DIMENSION</b>							
Width	mm	3800	3800	3800	4100	4100	4100
Depth	mm	1920	2845	3770	1920	2845	3770
Height	mm	1350	1350	1350	1350	1350	1350
Net Weight	Kg	1600	3200	4800	1650	3300	5000

All specifications subject to change without notice.

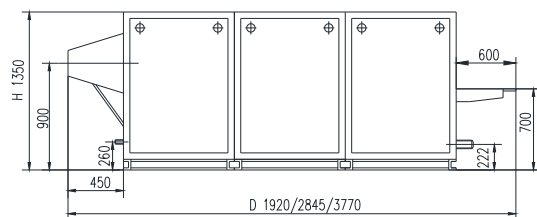
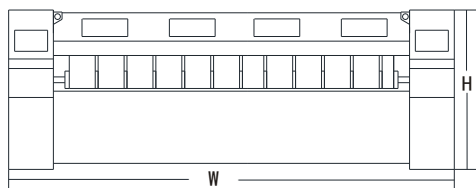


Shandong LittleDuck Group Co., Ltd.  
 Add: Gongye Nan Road, Jinan, Shandong, 250101 China  
 Tel: 0086-531-8312 2094, 8312 2068  
 Fax: 0086-531-88681524  
 Website: www.littleduckgroup.com.cn

## Specification for TB\*D Series - Electrical Heating Type

Model No.	Unit	TBI2800D	TBII2800D	TBI3000D	TBII3000D
<b>CYLINDER</b>					
Max. Ironing Width	mm	2800	2800	3000	3000
Ironing Speed	m/min	≤10	≤20	≤10	≤20
Cylinder Quantity		1	2	1	2
Cylinder Diameter	mm	800	800	800	800
Heating Type		Electrical	Electrical	Electrical	Electrical
<b>POWER</b>					
AC Voltage	V	380/415V	380/415V	380/415V	380/415V
Line Frequency	Hz	50	50	50	50
Phase	P	3	3	3	3
Motor Power	kw	0.75	1.5	0.75	1.5
Electrical Heater	Kw	36	72	36	72
<b>DIMENSION</b>					
Width	mm	3600	3600	3800	3800
Depth	mm	1920	2845	1920	2845
Height	mm	1350	1350	1350	1350
Net Weight	Kg	1400	2900	1500	3100

All specifications subject to change without notice.



Shandong LittleDuck Group Co., Ltd.  
 Add: Gongye Nan Road, Jinan, Shandong, 250101 China  
 Tel: 0086-531-8312 2094, 8312 2068  
 Fax: 0086-531-88681524  
 Website: www.littleduckgroup.com.cn





# GAS DRYER & GAS IRONER

## Gas Dryer

>>30kg, 50kg, 100kg

## Gas Ironer

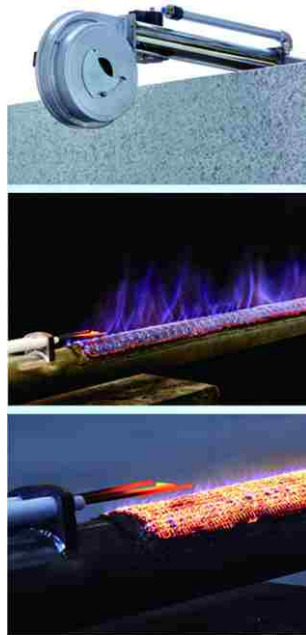
>>1cylinder, 2cylinder

>>Length 3000mm, 3300mm

## Direct-fired

Energy-efficient

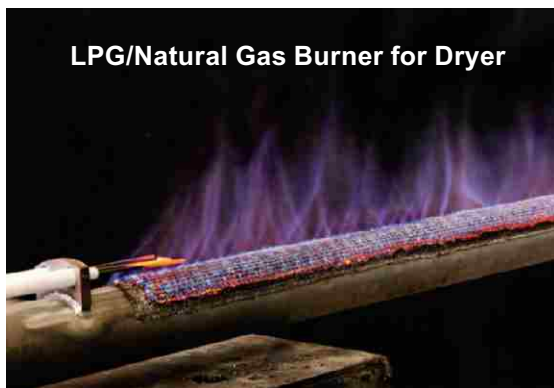
Safety



# GAS LAUNDRY MACHINES

## WHY GAS LAUNDRY MACHINES

- Little Duck designed and produced gas series laundry machines to satisfy your particular requirements and provided more options for your laundry business. Gas tumble dryer and ironer are the best choice in the occasions where there is no steam source.
- The present popular heating options for tumble dryer and ironer are electricity or steam. The running cost for electricity-heated machine is extremely higher and the steam-heating method requires additional boiler to provide the steam which is hard to pass the environmental assessment. Comparing to the above two options, the biggest advantage for gas-heating method is economic and convenient for owners.
- The current gas dryer or ironer utilizes fixed power and in-direct heating gas burner. The fact is that few models are equipped with gas burner limited by the power of the gas burner. Those gas burners are widely used for boilers, not correct choice for laundry machines.
- ▣ Little Duck is the sole manufacturer in China utilizes gas-fired infrared technology with unlimited power for all models. Little Duck gas dryer and ironer can meet owner's different requirements.



## LOW EMISSION & ENVIRONMENT FRIENDLY

- The burning surface of the metal-fiber burner is made of hairline metal fibers providing excellent gas permeability and uniformity which ensure the perfect mixing of gas and air. So the ignition for metal-fiber burner is more stable than traditional burner, the temperature distribution is more uniform without sectional high temperature area. Almost no CO is generated because of the sufficient burning which is more environment-friendly.

## FAST HEATING AND LOW COST

- Little Duck gas machine utilizes direct-fired metal fiber burner generating high temperature infrared heat.
- The ambient air heated by the infrared energy comes into the tumble dryer or heat directly the ironer cylinder, not like the old gas machines to heat the radiator first and then to heat the air indirectly.
- The direct-fired infrared method provides incomparable benefits of fast heating and low running cost, besides low emission and pollution-free features.

## EASY TO OPERATE AND SAFE TO USE

- Direct-fired infrared system is designed to work automatically under the control of the computer board.
- The automatic ignition and flameout is achieved through the installation of the temperature sensor which makes easy operation possible.
- The gas system consists of flame detecting device, flameout protection device and failure alarm device which all ensure the safe operation of the machine.
- Additionally the metal-fiber burner has the features of fast cooling and backfire prevention. Once the flame is shut down, most of the heat will be absorbed by the metal fiber, and the residual heat is not enough to heat the inside gas up to its ignition temperature which is the main reason causing the backfire problem.

## LONG SERVING LIFE & SIMPLE MAINTENANCE

- Metal-fiber burner has excellent advantages of high anti-corrosion performance, oxidation resistance and mechanical impact resistance which all ensure the long serving life of the burner. The carbon deposit will never happen because of the high surface temperature of the metal-fiber burner, no additional clean and maintenance is required.

## WARRANTY

LittleDuck provides 12 months warranty for the cylinder-heated ironers, starting from custom declaration date on China Port.

## Specification for HG\*R Series - LPG/Natural Gas Heating Type

Model No.	Unit	HG30R	HG50R	HG100R
Dry Weight Capacity	Kg/lbs	30/65	50/110	100/220
Cylinder Diameter	mm	1080	1160	1630
Cylinder Depth	mm	655	955	955
Cylinder volume	dm <sup>3</sup>	600	1000	2000
Cylinder speed	rpm	36	36	30
Heated Type		GAS	GAS	GAS
<b>DIMENSION</b>				
Width	mm	1210	1290	1820
Depth	mm	1195	1490	1710
Height	mm	1960	2060	2660
<b>POWER</b>				
Driving motor	Kw	0.55	0.75	3
Fan motor	Kw	1.1	1.1	1.5
Total power	Kw	1.65	1.85	4.5
<b>POWER SUPPLY</b>				
AC Voltage	V	380/415V	380/415V	380/415V
Line Frequency	Hz	50	50	50
Phase	Ph	3	3	3
<b>GAS PRESSURE</b>				
LPG (bottled gas)	Kpa	3~5	3~5	3~5
	Psi	0.4~0.7	0.4~0.7	0.4~0.7
Pipeline Gas	Kpa	5~7	5~7	5~7
	Pis	0.7~1.0	0.7~1.0	0.7~1.0
Natural Gas	Kpa	5~7	5~7	5~7
	Pis	0.7~1.0	0.7~1.0	0.7~1.0
Gas Consumption	Kg/h	4~6	5~7	8~10
<b>CONNECTIONS</b>				
LPG Inlet	Di. mm	15	15	15
Exhaust Air	Di. mm	Φ300	Φ300	Φ310
Net Weight	Kg	450	540	1310

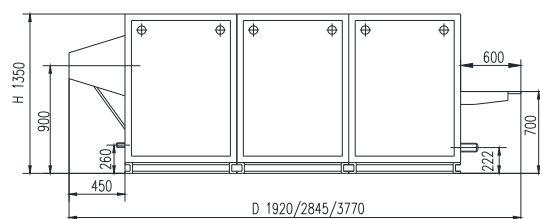
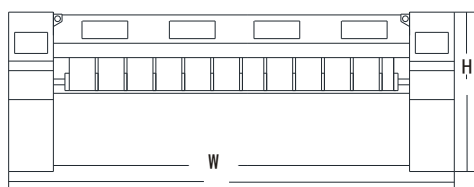
All specifications subject to change without notice.

Shandong LittleDuck Group Co., Ltd.  
 Add: Gongye Nan Road, Jinan, Shandong, 250101 China  
 Tel: 0086-531-8312 2094, 8312 2068  
 Fax: 0086-531-88681524  
 Website: www.littleduckgroup.com.cn

## Specification for TB Series - Gas Heating Type

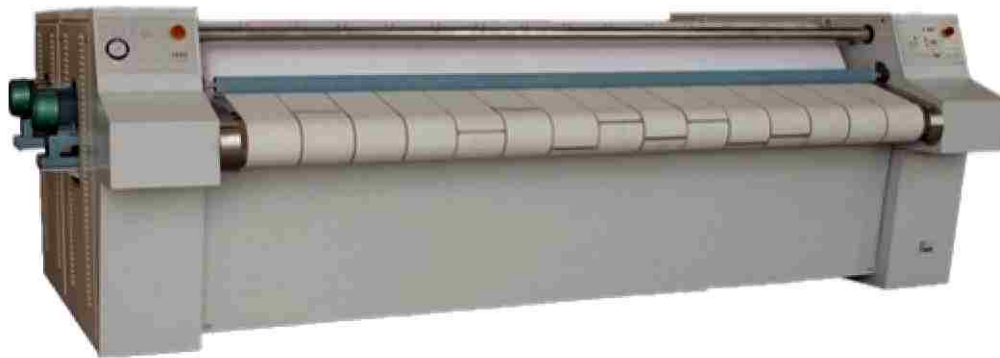
Model No.	Unit	TBI3000R	TBI13000R	TBI3300R	TBI13300R
<b>CYLINDER</b>					
Max. Ironing Width	mm	3000	3000	3300	3300
Ironing Speed	m/min	≤12	≤24	≤12	≤24
Cylinder Quantity		1	2	1	2
Cylinder Diameter	mm	800	800	800	800
Heating Type		GAS	GAS	GAS	GAS
<b>GAS PRESSURE</b>					
LPG (bottled gas)	Kpa	3~5	3~5	3~5	3~5
	Psi	0.4~0.7	0.4~0.7	0.4~0.7	0.4~0.7
Pipeline Gas	Kpa	5~7	5~7	5~7	5~7
	Pis	0.7~1.0	0.7~1.0	0.7~1.0	0.7~1.0
Natural Gas	Kpa	5~7	5~7	5~7	5~7
	Pis	0.7~1.0	0.7~1.0	0.7~1.0	0.7~1.0
Gas Consumption	Kg/h	5~7	10~14	5.5~7.7	11~15.4
<b>POWER</b>					
AC Voltage	V	380/415V	380/415V	380/415V	380/415V
Line Frequency	Hz	50	50	50	50
Phase	P	3	3	3	3
Motor Power	kw	0.75	1.5	0.75	1.5
<b>DIMENSION</b>					
Width	mm	3800	3800	4100	4100
Depth	mm	1920	2845	1920	2845
Height	mm	1350	1350	1350	1350
Net Weight	Kg	1500	3100	1600	3200

All specifications subject to change without notice.



Shandong LittleDuck Group Co., Ltd.  
 Add: Gongye Nan Road, Jinan, Shandong, 250101 China  
 Tel: 0086-531-8312 2094, 8312 2068  
 Fax: 0086-531-88681524  
 Website: www.littleduckgroup.com.cn

# CHEST-HEATED IRONER



**Double Chest-heated Ironer**

- YBII3000**
- YBII3000B**
- YBII3300B**
- TBII3000A**

- Flatwork Ironer
- Max. Ironing Width  
3000mm  
3300mm
- Chest Qty.: 2
- Steam Heating

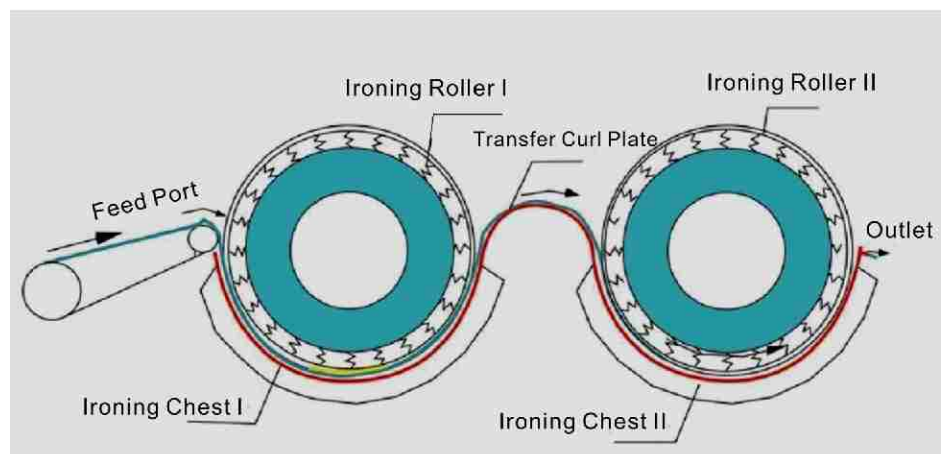
**RELIABILITY DURABILITY COST EFFECTIVE**

## UNIQUE HEATING CHEST LEADS INDUSTRY DIRECTION

Little Duck chest-heated ironer utilizes unique heating chest featuring incomparable heat transfer efficiency and long serving life. Jacketed type chest delivers Little Duck machine excellent ironing performance. Comparing to the traditional segmental type, jacketed type chest has the obvious advantages of fast heat transfer and more uniform surface temperature which ensure fast ironing speed and excellent ironing results. In addition, jacketed

Type ironing chest has no hidden trouble of fouling, which is able to guarantee long serving life.

Big wrap angle is adopted in the design of heating chest providing more contact area with the textile being ironed. More efforts were put on the details regarding how to improve Little Duck machine's ironing results. The chest-heated ironer is trustable to be your business partner to develop high-end customers.



## EXCELLENT IRONING PERFORMANCE MEETS HIGHER DEMANDING

- Imported spring and needle-punched padding provide ideal elasticity and rigidity, ensuring full contact between the chest ironing surface and the textile being ironed. Needle-punched padding has excellent function of air permeability which is able to improve the capability of discharging the humidity generated by the ironing process. Quality spring and padding are necessities besides jacketed type chest for outstanding ironing results.
- Transition arc plate connecting the two heating chests is designed with heating chamber. The connection arc plate is heated through out the whole ironing process and help to improve the heating result and the flatness of the textile.
- Independent steam trap design helps to discharge completely the condensate water inside the heating chest and then maintain very well the continuity of the surface temperature which is the guarantee for reliable and high quality ironing.
- Direct exhausting design with big wind pressure improves the discharging of humidity, facilitating the ironing cycle.
- Variable inverter makes the operation and adjustment simple, extensive applicability to different textiles being ironed. Applicable speed is achieved upon different textiles.



## HUMANITY DESIGN FOR FRIENDLY AND SAFE OPERATION

- Little Duck chest-heated ironer is able to be connected with flatwork folder to increase the work efficiency tremendously. Quilt cover or bed sheet coming out from the ironing machine can go into flatwork folder directly eliminating the requirement of manual labor. Both machines will be controlled with the same step enabling the labor and cost save possible.
- Height of the machine caters to the principle of human engineering. In addition the tilting inlet is more convenient for feeding process.
- Chain transmission system provides reliable and stable driving with low noise as well as the advantage of easy maintenance.
- Safety switch and emergency stop button protect operators from getting hurt.
- Independent circuit breaker delivers over-loading protection to the machine.
- Pressure self-balancing design will protect reliably your machine in case the steam pressure exceeds its limit.



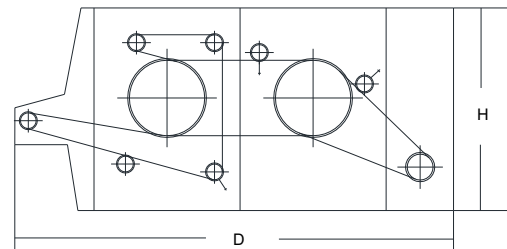
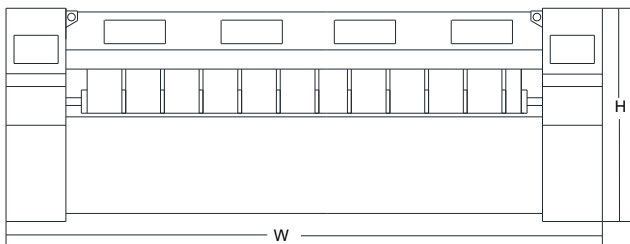
## STANDARD FEATURES

- Computer-controlled system for easy operation;
- Unique design of steam path on chest with incomparable heat efficiency;
- Adjustable speed through variable frequency control;
- High ironing speed with top quality;
- Independent steam trap design with reliable condensate water drainage;
- Low noise and reliable design by chain transmission;
- Over-loading protection for motor and photoelectric safety device;
- Imported spring and needle-punched wool padding ensuring top ironing results;
- Direct exhausting design with big wind pressure improving the efficiency;
- Steaming heating.



## WARRANTY

LittleDuck provides 12 months warranty for the chest-heated ironers, starting from custom declaration date on China Port.



## Specification for Chest-heated Ironer

Model No.	Unit	YBII3000B	YBII3300B	YBII3000	TBII3000A
<b>IRONING CHEST</b>					
Ironing chest Qty.		2	2	2	1cylinder+1chest
Max ironing width	mm	3000	3300	3000	3000
Ironing speed	mm/min	5~30	5~30	5~30	≤20
Chest diameter	mm	2 x φ800	2 x φ800	2 x φ1000	φ800 cylinder
	mm				φ800 chest
Heating type		steam	steam	steam	steam
<b>STEAM</b>					
Steam pressure	Mpa	0.4~0.8	0.4~0.8	0.4~0.8	≤0.7
	Psi	58~116	58~116	58~116	≤101.5
Steam consumption	Kg/h	≤200	≤230	≤280	≤200
Steam pipe	mm	DN50	DN50	DN50	DN50
Drainage pipe	mm	DN25	DN25	DN25	DN25
<b>COMPRESSED AIR</b>					
Compressed air pressure	Mpa	0.7	0.7	0.7	0.7
	Psi	101.5	101.5	101.5	101.5
Compressed air inlet	mm	Φ8	Φ8	Φ8	Φ8
Compressed air consumption	L/h	100	120	120	50
Exhausting rate	m <sup>3</sup> /h	3124	3124	1562	1410
Air pressure	Kpa	1	1	0.7-1.0	2.1
<b>POWER</b>					
AC Voltage	V	380/415V	380/415V	380/415V	380/415V
Line Frequency	Hz	50	50	50	50
Phase	P	3	3	3	3
Motor power	Kw	5.5	5.5	11	4
Exhausting motor power	Kw	2x1.5	2x1.5	1.5	1.5
<b>Dimensions</b>					
Width mm	mm	4037	4337	4080	3957
Depth mm	mm	2965	2965	3630	2845
Height mm	mm	1400	1400	1750	1350
Net weight	Kg	5500	5900	7500	4100

All specifications subject to change without notice.

Shandong LittleDuck Group Co., Ltd.  
 Add: Gongye Nan Road, Jinan, Shandong, 250101 China  
 Tel: 0086-531-8312 2094, 8312 2068  
 Fax: 0086-531-88681524  
 Website: www.littleduckgroup.com.cn

# AUTOMATIC FLATWORK FOLDER



**ZD3000V**

**ZD3300V**

- Max. Folding Width  
3000mm/3300mm
- PLC Control
- Speed upto 50m/min
- Up to 5 Folds

**RELIABILITY DURABILITY COST EFFECTIVE**

## INCREASE PRODUCTIVITY, LOWER LABOR COST

⚙ With the continuous increase of labor cost in China, Little Duck designed and produced this smart automatic folder providing ideal solution to your laundry business. Little Duck folder is able to fulfill the whole folding job, eliminating completely the worry of lacking skillful workforce. Being the first manufacturer of folder nationwide, Little Duck explored further better solution to this problem and produced the first machine connected to any ironer for continuous batch finishing, which delivers tremendous increase of productivity and significantly drop of labor cost.

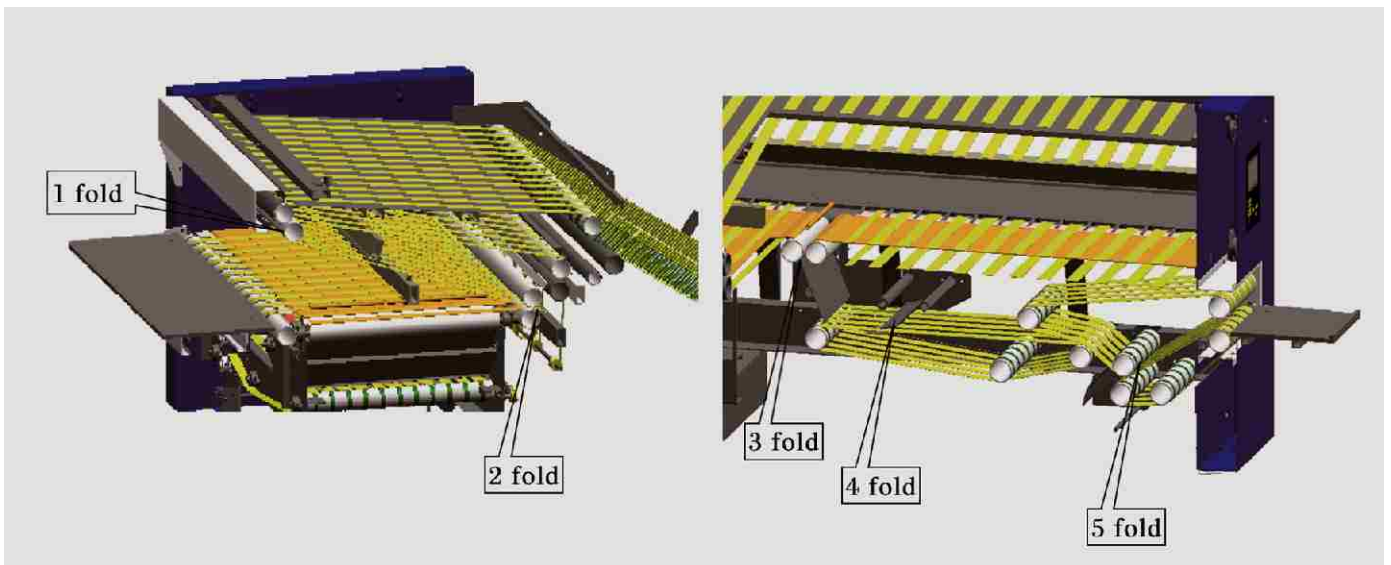
⚙ More efforts were put regarding your application of folder. When connected to the ironing machine, you can have the linen coming through the folder without folding directly if needed. Otherwise you can choose either 4 or 5 folds upon actual requirements. Little Duck folder can work very well for any kind of laundry service and is qualified to be your ideal partner for your career.



**XYLECATALOGUE2014-0516**

## SMART DESIGN WITH HIGH INTELLIGENCE

- Little Duck presents high intelligent flatwork folder through the adoption of most advanced photocell and VFD (Variable Frequency Drive) technologies combined with micro-computer control system. The machine is designed to simulate human's folding action to finish all precise folding job with the help of pneumatic and photocell control. The machine is equipped with world class components for the most ensuring machine's stable and reliable running.
- Little Duck flatwork folder provides multi options of either 3, 4 or 5 folds. For 5 folds process, it includes 2 longitudinal folds and 3 cross folds. The max folding width is up to 3300mm and length up to 4000mm. Little Duck is one of the few manufacturers in China to produce precise folding machine. Please refer to the following for working principle of folder.



## RELIABLE OPERATION WITH HIGH PRECISION

- Patented device for increasing the folding precision.
- Pneumatic blowing is used for the first 2 longitudinal folds and mechanical device for the 3 cross folds in order to cater to linens with different thickness.
- Large VFD display enables operation direct and simple, multi folding programs are available for different requirements.
- Heavy duty frame delivers stable and high efficiency running.
- Antistatic device is utilized for proper function of the machine especially in very dry environments or working with synthetic items.
- Self-diagnosis function helps to simplify failure verification and maintenance.
- Synchronous transmission ensures that the folder operates with low noise and stability and requires minimum maintenance.





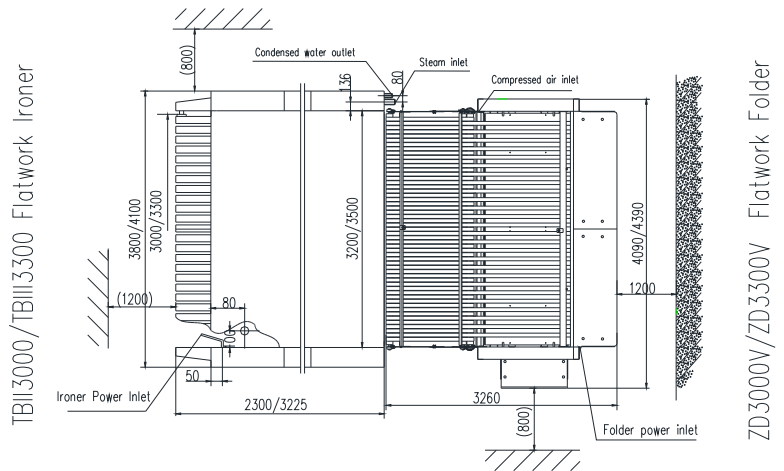
## CAN BE CONNECTED TO IRONER WITH SYNCHRONOUS TRANSMISSION

- Little Duck flatwork folder can be connected to any ironer for continuous batch finishing, which delivers tremendous increase of productivity and significantly drop of labor cost. Because of the synchronous transmission is adopted to ensure operating with same speed between flatwork folder and ironer.



## STANDARD FEATURES

- Easy to operate with computer control;
- Reliable and energy-saving running achievable by photoelectric and variable frequency control;
- Heavy duty frame ensuring extra long serving life;
- Up to 5 precise folds which is the max nationwide;
- Batch ironing and folding feasible through the connection with ironer;
- Max folding width up to 3300mm;
- Either 4 or 5 folds optional.



## WARRANTY

LittleDuck provides 12 months warranty for the automatic flatwork folders, starting from custom declaration date on China Port.

## Specification for Flatwork Folder

Model No.	Unit	ZD3000V	ZD3300V
<b>Capacity</b>			
Qty. of Folds	folds	5	5
Qty.of Folding layer	layers	2 <sup>5</sup> (32)	2 <sup>5</sup> (32)
Max. folding width	mm	3000	3300
Range of Folding Length	mm	1000~3000	1000~3600
Working Speed Range	m/min	≤50	≤50
Working Capacity ( for bedsheet)	pcs/h	480	480
<b>POWER</b>			
AC Voltage	V	380/415V	380/415V
Line Frequency	Hz	50	50
Phase	P	3	3
Motor Power	kw	1.55	1.55
<b>COMPRESSED AIR</b>			
Compressed Air pressure	Mpa	0.5~0.7	0.5~0.7
	Psi	72.5~101.5	72.5~101.5
Compressed Air Inlet	mm	Φ10	Φ10
Compressed Air Consumption	L/h	400	400
<b>DIMENSION</b>			
Width	mm	4090	4390
Depth	mm	3260	3260
Height	mm	1600	1600
Net Weight	Kg	1400	1500

All specifications subject to change without notice.



# FINISHING MACHINE



☞ Figure Finisher

☞ Spot Table

☞ Ironing Table

☞ Laundry Press

RELIABILITY DURABILITY COST EFFECTIVE

## FIGURE FINISHER

- The figure finisher consists of the frame, pressing structure, electrical box, the unit complete and pedal switch. It can finish the western-style clothes, garment, sweater and skirt. It is necessary for clothes factory, hotel, hospital and laundry store.
- Controlled by DLC computer, and also can be manual control. With special designed working procedure, no matter how thick, how complicate the garment is, you'll be satisfied with the ironing quality.
- Designed with wind pressure, shoulder width, waist, hipline, lap and fly height adjuster. It is able to press small size garment like woman clothes.
- Professional design of steam circuit, which assures the quality of steam spray.

### Specification for Figure Finisher

Model No.	Unit	ZTR
Steam pressure	Mpa	0.3~0.5
Steam consumption	Kg/h	15~20
Power supply	V/P/Hz	380/3/50
Motor power	Kw	0.75
Dimension	mm	1600×560×1080
Net weight	Kg	140



XYLECATALOGUE2014-0516

## SPOT TABLE

- The dirty spot on the garment can be treated on the spot table with the help of special cleanser. The dirt such as lipstick, paint smudge, blood, ink, coffee and milk should be removed easily.
- A jet gun and tow dirt removing guns are provided. The jet gun can be applied to the garment either in cold or hot according to the dirt type.
- Equipped with spot-removing gun and hot wind gun, and the gun is suitable to your hands. The fluid is concentrate. Touch style button is very sensitive and convenient.
- Equipped with a set of air filter, which prevent the second pollution to garments. Hot wind and steam are controlled by magnetic valve, which can fully utilize the eradicator and strengthen spot-removing effect.
- Equipped with stainless steel table



### Specification for Spot Table

Model No.	Unit	QZ-A
Steam pressure	Mpa	0.4~0.5
Compressed air pressure	Mpa	0.5~0.6
Power supply	V/Hz	220/50
Motor power	Kw	0.25
Dimension	mm	1400×560×900
Net weight	Kg	60

## IRONING TABLE

- Air-sucking ironing table is widely used in finishing the polyester-fiber, cotton and sweaters.
- It works with strong sucking and minimal noise, with steam iron.
- Beautiful design, easy operation and ideal ventilation system can meet your requirement.



### Specification for Ironing Table

Model No.	Unit	YTTB2
Suction	Pa	150
Power supply	V/P/Hz	380/3/50
Motor power	Kw	0.55
Table dimension	mm	1500×800
Net weight	Kg	50



Multipurpose Press



Omnipotent Press



Collar-sleeve Press



Mushroom Press

## LAUNDRY PRESS

- The press consists of bottom seat, frame, operate station, upper ironing table, lower ironing table, pneumatic steam valve, pedal switch, cylinder and spring assembly.
- It is suitable for ironing all kinds of garments.
- It is the best selection for hotels, hospitals, laundry stores and clothes factories.
- Be able to press just after cloth dehydrated.
- Using high-quality pneumatic components and with reasonable designed steam circuit. It is stable, reliable and safe.
- Steam Road, concise design effective, warming fast, low heat loss.

### Specification for Laundry Press

Name	Unit	Multipurpose Press	Omnipotent Press	Collar-sleeve Press	Mushroom Press
Model No.		ZJW	ZJWB	ZJWC	ZJWD
Purpose		dry cleaning	wet cleaning	wet cleaning	wet cleaning
Steam pressure	Mpa	0.4~0.5	0.4~0.5	0.4~0.5	0.4~0.5
Steam consumption	Kg/h	25	25	20	15
Compressed air pressure	Mpa	/	0.4~0.5	0.4~0.5	0.4~0.5
Power supply	V/P/Hz	380/3/50	380/3/50	380/3/50	380/3/50
Dimension	mm	1200×1400×1400	1350×1400×1300	1200×1400×1300	1200×1400×1330
Net weight	Kg	250	260	230	220

All specifications subject to change without notice.

Shandong LittleDuck Group Co., Ltd.  
 Add: Gongye Nan Road, Jinan, Shandong, 250101 China  
 Tel: 0086-531-8312 2094, 8312 2068  
 Fax: 0086-531-88681524  
 Website: www.littleduckgroup.com.cn

# HYDROCARBON DRY CLEANING MACHINE



- ☞ Hydrocarbon Solvent
- ☞ Fully-enclosed System
- ☞ With Distillation Device
- ☞ Vacuum washing
- ☞ Capacity: 10, 15 & 20kg

RELIABILITY DURABILITY COST EFFECTIVE

## HYDROCARBON SOLVENT DRY CLEANING MACHINE

- ☐ This kind of hydrocarbon solvent dry cleaning machine is the culmination of years of technique and experience into washing equipments and textiles from LittleDuck. It has multi-functional specialties which include integrative washing, extracting, drying and distillation under vacuum condition. With the features of solvent high-speed extract, fast speed drying with lower temperature, power saving and easy operation.
- ☐ **Combining** washing, extracting, drying and distillation **in one**.
- ☐ **Multifunctional computer control**: colorized large screen LCD, man-machine conversation, malfunction self-check, and program can be edited or chosen according to different garments.
- ☐ **Safe working system**: the operation of washing, extracting, drying and distillation under the vacuum condition.
- ☐ **Extremely closed system**: it uses vacuum pump to achieve fully closed.
- ☐ **Soft mount structure**: with suspension springs, low noise, the fixing device is not needed.
- ☐ **Environment-friendly Hydrocarbon Solvent**: colorless, non-toxic and non-smell solvent is used for environment protection.
- ☐ **Digital frequency conversion technology**: for stepless speed regulation while washing, extracting and drying.
- ☐ **Efficient gentle cleaning ability**: washing under vacuum makes the garments clean, looks good, without pollution after washed. Strong good at washing fur, makes it soft, bright, non-washed out.
- ☐ **Efficient filtration**: solvent is pumped over the high consistency filtration net all the time the machine is running continually.
- ☐ **Special cooling reclaiming system**: solvent kept in the cooling status, drying and distillation work together, efficient reclaiming, power saving.
- ☐ **High efficient distilled system**: it can remove the neutral fat, mineral oil and pigment etc. non-sorption of splotch in used solvent in long-term to get the pure hydrocarbon solvent.
- ☐ **Solvent tank is available**: single or double solvent tank designed for option.

## Specification for Hydrocarbon Solvent Dry Cleaning Machine

MODEL NUMBER	Unit	K200FZQ	K300FZQ	K400FZQ
<b>CAPACITY</b>				
Dry Weight Capacity	Kg/lbs	10/22	15/33	20/44
Drum Diameter	mm	850	950	1200
Drum Depth	mm	300	432	390
Loading Volume	dm <sup>3</sup>	170	306	441
Under-tank Volume	dm <sup>3</sup>	132	144	280
Washing Speed	rpm	42	40	32
High Extract Speed	rpm	930	900	800
<b>NYLON CENTRIFUGAL FILTER</b>				
Filter Volume	dm <sup>3</sup>	30	55	69
Filtration Capacity 1 bar	L/h	4000	6000	7000
Filtration Area	m <sup>2</sup>	2	4	5.5
<b>ELECTRICITY &amp; POWER</b>				
Power Supply	V/P/Hz	380~415V, 3Phase, 50Hz		
Main Motor	Kw	2.2	3.0	5.5
Drying Motor	Kw	1.5	1.5	2.2
Filtering Motor	Kw	1.1	1.1	1.5
Vacuum Pump Motor	Kw	0.75	0.75	1.5
Solvent Pump	Kw	1.1	1.5	1.5
Maximum Load	Kw	6.65	7.85	12.2
Cross Section Area of Circuit (copper)	mm <sup>2</sup>	5x4	5x4	5x6
Current Capacity of Circuit	Amps	35	35	50
Actual Current	Amps	14	16	20
<b>CONNECTIONS</b>				
Compressed Air Pressure	Mpa	0.5~0.6	0.5~0.6	0.5~0.6
Compressed Air Inlet	mm	φ6	φ6	φ6
Water Pressure	Mpa	0.3~0.4	0.3~0.4	0.3~0.4
Water Inlet, Outlet	inch, mm	1/2", DN15mm	1/2", DN15mm	1/2", DN15mm
Steam Pressure	Mpa	0.4~0.5	0.4~0.5	0.4~0.5
Steam Inlet, Outlet	inch, mm	1/2", DN15mm	1/2", DN15mm	1/2", DN15mm
<b>CONSUMPTION</b>				
Electricity, at 40 minutes of circulation	Kw	1.0	1.6	2.9
Water, in case of the temp. of the water reaching 18°C	L	85.0	90.0	100.0
Steam, at 150°C/0.5Mpa	Kg	3.8	4.0	6.5
Compressed Air per cycle	L	4.0	4.0	4.0
<b>DIMENSION</b>				
Width/Depth/Height	mm	1550/1350/2260	1690/1450/2350	2250/1650/2150
Net Weight	Kg	650	1080	1800

Shandong LittleDuck Group Co., Ltd.  
 Add: Gongye Nan Road, Jinan, Shandong, 250101 China  
 Tel: 0086-531-8312 2094, 8312 2068  
 Fax: 0086-531-88681524  
 Website: www.littleduckgroup.com.cn

# PERC DRY CLEANING MACHINE



- ☞ PERC Solvent
- ☞ Fully-enclosed System
- ☞ With Distillation Device
- ☞ Capacity: 6, 8, 10, 12 & 15kg

RELIABILITY DURABILITY COST EFFECTIVE

## PERC SOLVENT DRY CLEANING MACHINE

Automatic PERC solvent Dry cleaning machine is composed of basket, refrigeration system, water separator, centrifugal filter and heater etc. It is mainly used in the hotel, restaurant, laundry store plant to dry-clean woolen clothes and nylon clothes. Clothes can remain no wrinkle, no shrinkage, no shape change, clean and trim.

- 1. Strong refrigeration system: Evaporator in the refrigeration system can be recovered as the condenser of the dryer, the condenser in the refrigeration system can be recovered as the preheater of the dry-cleaning machine. They are put in the drying air channel together to preheat the air flow with the high temperature and pressure from condensing. By this way, drying speed is increased and steam supply is reduced to the lowest to save the energy.
- 2. Heat exchanger is big so that the heat efficiency is high and energy is saved.
- 3. Complete recycling system: Air inside the basket is completely recycled after drying process, which reaches the level in the western countries.
- 4. Dupl.-separating receiver is added to further recycle perchlorethylene, solvent so as to reduce the cost and improve environment protection level. Negative pressure sucks air inside the machine when loading and unloading machine so that the operator will not smell the perchlorethylene and working condition is improved.
- 5. Fully automatic control system by Programmable Computer with automatic and manual function, with LCD super-large screen.
- 6. Inverter drive. Frequency conversion motor adopted for energy-saving.
- 7. The distillation system with automatic control device for liquid level. And distillation will be heated by steam, the used heat of distillation may be recycled for drying.



## Specification for PERC Solvent Dry Cleaning Machine

MODEL NUMBER	Unit	P120A	P150A	P220A	P250A	P300A
<b>CAPACITY</b>						
Dry Weight Capacity	Kg	6	8	10	12	15
Cylinder Volume	dm <sup>3</sup>	120	160	200	240	300
Washing Speed	rpm	42	37	37	37	37
Middle Extract Speed	rpm	370	400	370	370	370
<b>SOLVENT TANK</b>						
No.1 Tank Volume for working	L	80	80	90	112	135
No.2 Tank Volume for working	L	80	80	90	112	135
No.3 Tank Volume for cleansing	L	80	80	90	112	135
<b>DISTILLATION</b>						
Distillation Tank Volume	L	90	90	100	100	138
Distillation Speed	L/min	2.3	2.3	2.3	2.3	2.3
<b>NYLON CENTRIFUGAL FILTER</b>						
Volume	L	45	45	60	60	72
Flow Rate at 1Bar	L/min	60	60	60	60	80
Filtration Area	m <sup>2</sup>	2.4	2.4	3.1	3.1	4.3
Filter Specification	Pcs	12	12	20	20	28
<b>ELECTRICITY &amp; POWER</b>						
Power Supply	V/P/Hz	380~415V, 3phase, 50Hz				
Max. Electric Current	A	10	10	10	10	12
Wire Cross-section Area(copper)	mm <sup>2</sup>	2	2	2	2	4
Driving Motor	Kw	1.5	1.5	1.5	1.5	2.2
Solvent Pump	Kw	0.35	0.55	0.55	0.55	0.75
Fan Motor	Kw	0.55	0.55	0.55	0.55	1.5
Filter Motor	Kw	0.55	0.55	0.55	0.55	0.55
Exhaust Motor	Kw	0.37	0.37	0.37	0.37	0.18
Refrigerated Compressor	kw	1.12	1.12	1.75	2.7	2.25
<b>CONNECTIONS</b>						
Compressed Air Pressure	Mpa	0.4~0.5	0.4~0.5	0.4~0.5	0.4~0.5	0.4~0.5
Compressed Air Inlet	mm	φ8	φ8	φ8	φ8	φ8
Water Pressure	Mpa	0.2~0.3	0.2~0.3	0.2~0.3	0.2~0.3	0.2~0.3
Water Inlet, Outlet	inch	3/4"	3/4"	3/4"	3/4"	3/4"
Steam Pressure	Mpa	0.35~0.45	0.35~0.45	0.35~0.45	0.35~0.45	0.35~0.45
Steam Inlet, Outlet	inch	2x1/2"	2x1/2"	2x1/2"	2x1/2"	2x1/2"
<b>CONSUMPTION</b>						
Solvent, clothes dry weight		1~2%	1~2%	1~2%	1~2%	1~2%
Water for drying, per cycle at 12°C	L	100	100	100	100	100
Water for distilling, per litre solvent	L	2.4	2.4	2.4	2.4	2.4
Steam for drying, per cycle	L	5	5	5.0	5	5
Steam for distilling, per litre solvent	L	0.3	0.3	0.3	0.3	0.3
Compressed Air per cycle	L	4	4	4.0	4	4
<b>DIMENSION</b>						
Width/Depth/Height	mm	1510/1200/1850	1600/1250/1900	1675/1500/2000	1710/1250/1900	1820/1280/1935
Net Weight	Kg	720	750	920	1050	1180

Shandong LittleDuck Group Co., Ltd.  
 Add: Gongye Nan Road, Jinan, Shandong, 250101 China  
 Tel: 0086-531-8312 2094, 8312 2068  
 Fax: 0086-531-88681524  
 Website: www.littleduckgroup.com.cn