



NT-808nm  
DIODE LASER  
PERMANENT HAIR REDUCTION



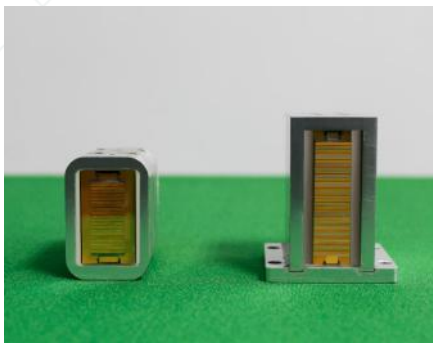
- » Optimal Treatments
- » Best Performance, long lifetime

## ABOUT DIODE LASER HAIR REMOVAL

While there are many methods to eliminate unwanted hair, very few can eliminate hair regrowth while leaving the surrounding skin undamaged. And laser remove is quickly becoming the most popular. 808nm diode laser technology, unlike earlier systems, energy penetrates deep into the dermis (where the hair follicle is located) with high average power and a rapid 10 pulse-per-second repetition rate. Lasers use the principle of selective photothermolysis to eliminate hair and its potential regrowth without damaging the surrounding skin. During a laser hair removal treatment, light passes through the skin and is absorbed by the melanin in the hair shaft. This absorption raises the temperature of the hair follicle and thermally destroys the cells responsible for regrowth. The attributes of the laser (wavelength, pulse duration and power) are chosen to ensure damage to these cells and not to the rest of the skin



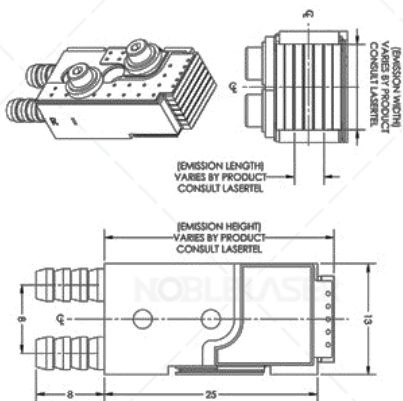
## ABOUT LASER DIODE



600W-13PCS Laser bars

1000W-20PCS laser bars

Utilizing a patented monolithic design that requires only filtered water (not deionized) eliminates the most common failure mechanisms associated with micro channel cooled laser diodes. CW laser diode stacks require no o-rings or rubber gaskets allowing them to perform reliably in harsh environments.



## NT-Vacuum <sup>600W</sup> Vacuum assist Tech.

more



## NT-Fx1000

20Pcs Laser bars  
Power:1000W, Spot:30x55mm

more



## NT-Re x4 <sup>600W</sup>

Spots size: 9x9,12x12,15x15,15x27mm  
Handle with 4 changeable spots

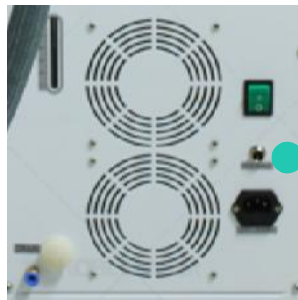
more



## Available Handle Types for our Diode Laser System



## ABOUT COOLING SYSTEM



AIR COOLING

ADVANCED WATER COOLING

SEMI-CONDUCTOR COOLING

SAPPHIRE CONTACT COOLING

# HANDLE DETAILS



Skin is stretched thin & hair is pulled closer to energy source

## NT-Vacuum

*Vacuum assist Tech.*



## NT-Fx1000

*Super big spot: 30x55mm*  
*Power :1000W. 20PCS of laser bars*



## Diode Laser hair removal system

### 1 HANDLE x 4 SPOTS

# PLUG AND PLAY CONNECTOR

- Germany and American sourced
- Guarantee 1000000 times of plugging
  - Water and circuit integrated



## SOFTWARE

LCD Touch Screen  
3 levels Adjustable cooling system

The software interface is displayed on a touch screen. It features a blue background with white text and icons. The main screen shows several control panels for 'FREQUENCY', 'ENERGY', 'PULSE WIDTH', and 'VACUUM DEPTH'. A 'Cooling' control panel is shown below, with three blue buttons and a snowflake icon. The interface also includes a 'START' button and a 'STOP' button.

## DETAILS



## ADVANTAGES

1. Four different spots size: 30\*55mm;15\*27mm; 15\*15mm; 12\*12mm; 9\*9mm can fit different treatment size;
2. USA imported laser module to make the laser energy more stable, lifetime of handle can reach maximum 20,000,000 shots.
- 3.Effective cooling system high performance, make sure long service life of the treatment head and palladium, guarantee comfortable treatment procedure.
- 4.1-10Hz frequency shots available, fast permanent hair removal, with in motion treatment, high cost-effective for big area treatment
5. Expert system for select different skin type and hair type, suit to different patients and all kinds of skin type
6. long continuous working 24 hours  
with non-stop; ensure stable function in busy clinic/salons
- 7.simple and humanized software design easy to operate and learn.
- 8.protection system of water flow, water level and water temperature, safe and professional.
- 9.Long laser width: Effective for the hair follicles produce heat accumulation, Permanent hair removal;
- 10.The power module design is suitable for import and export business. It is convenient to maintenance;
- 11.Self-checking and auto-protection mechanism to ensure the stability;
- 12.Professional beautician and Dermatologist make perfect therapeutic schedule together.
13. CE, ISO 13485 approval, testing report for the certificates.

## AVAILABLE MODELS



## SPECIFICATIONS

Laser Type	Semiconductor laser
Laser Wavelength	808nm
Pulse width	10~400ms
Pulse output frequency	1~10Hz
Display	8.4/10.4 inch color touch screen
Power	600W & 1000W
laser diode	13PCS & 20PCS laser bars
Cooling	Semiconductor cooling + water cooling + air cooling +Sapphire cooling system
Output Power	2000w & 3500W
Spot size	9x9mm,12x12mm,15x15mm,15x27mm, 30x55mm, 15x27mm vacuum assist
Temperature of probe	-10-0°C



**OEM&ODM**  
Professional Manufacturer of  
Medical and Aesthetical  
Equipment



www.noblelaser.com  
**BEIJING NOBLE LASER**  
**TECHNOLOGY CO., LTD**

# Get in touch

www.noblelaser.com

Info@noblelaser.com



Beijing Noble Laser Technology CO.,Ltd.

South 1<sup>st</sup> Floor, No.4 Chongxin Creative Building Badachu Hi-tech Zone. Shijingshan District.

Beijing. China (100041)

+86 10 59937720

+86 10 59937719

»OEM&ODM service

»3 Years warranty

»Clinical / Scientific Training: Training Manual, DVD and 24 hours service is provided

»Marketing Support: Build your practice with a series of customizable advertisements, presentations, education materials, letters and much more.

»Technical Support: Noble Laser's technical team team is committed to keeping your practice running smoothly.

**WARRANTY-TRAINING SERVICE**

**3 YEARS WARRANTY**

3 years free warranty, lifetime maintenance, 24 hours online service

Machine will come with .User's manual .Maintenance manual .Training DVD

**SAFE & FAST DELIVERY**

Security ID

Aluminum frame

>5cm inner protection for every devices

**1** Sample within 1-2 working days

**3** Wholesales 3-5 working days

**7** OEM 7-10 working days

UPS, DHL, EMS, FedEx

**HIGH QUALITY**  
Japan,USA,Germany sourced materials cover 90% Strict QC Process before delivery

**OEM&ODM**  
Idea from you, New model from us And only keep for you. In your request 100% for 10 work days

**INDUSTRY & TRADE**  
Over 20 years R&D selling experience in Medical and aesthetical area ISO13485, CE approved

**WARRANTY**  
3 years warranty Lifetime Maintenance

**FAST DELIVERY**  
Professional Production team to support 3 days delivery equipment, 10 years cooperative experience with international express company. Which offer fast delivery service and economical cost