



Electromagnetic Switch

- The electromagnetic switch is an automatic pump control component installed at the discharge port, and one of its two pipes is connected to the discharge port (or the discharge pipeline) while the other is connected to the discharge pipeline (or the other side of the discharge pipeline). The wiring system should be in accordance with corresponding wiring diagram, which means the two ends shall be connected to power supply and motor power wiring, respectively.

Function

- If plugged into an electric power supply, the POWER ON light will be on and the water pump will start working, but it will stop automatically when the pre-set water pressure is achieved. Then, open a faucet and the pump will start automatically and immediately to maintain water pressure inside the pipeline. When there is no water inside the pipeline, the pump will stop at once to avoid running without any load, thus protecting both the motor and the pump. From this point of view, our electromagnetic switch is a truly intelligent pump control device which could start and stop water pumps according to detected water pressure inside the pipeline, thus providing an alternative solution for conventional pump control system that is composed of pressure tank, mechanical pressure switch and other components.

Available Model

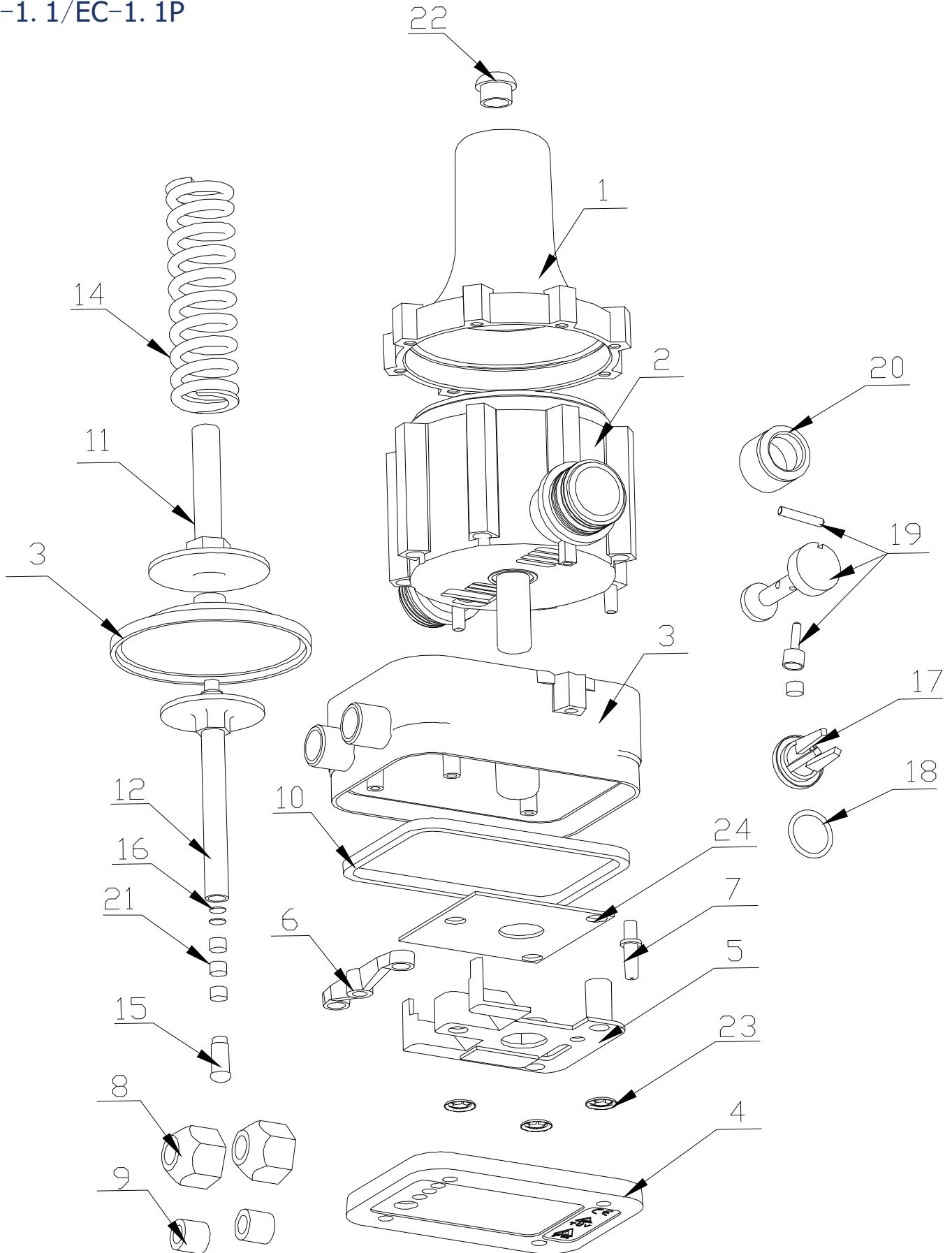
At present, MARQUIS electromagnetic switch is offered in several models, including EC-1/EC-1P, EC-1.1/EC-1.1P, EC-2/EC-2P, EC-2.1/EC-2.1P, EC-2.2/EC-2.2P, EC-3/EC-3P, EC-3.1/EC-3.1P, and EC-5. In addition, some key parameters are listed on the nameplates, such as Maximum Power, Maximum Pressure, Maximum Current, Protection Class, Starting Pressure and Connection Size.

Guarantee

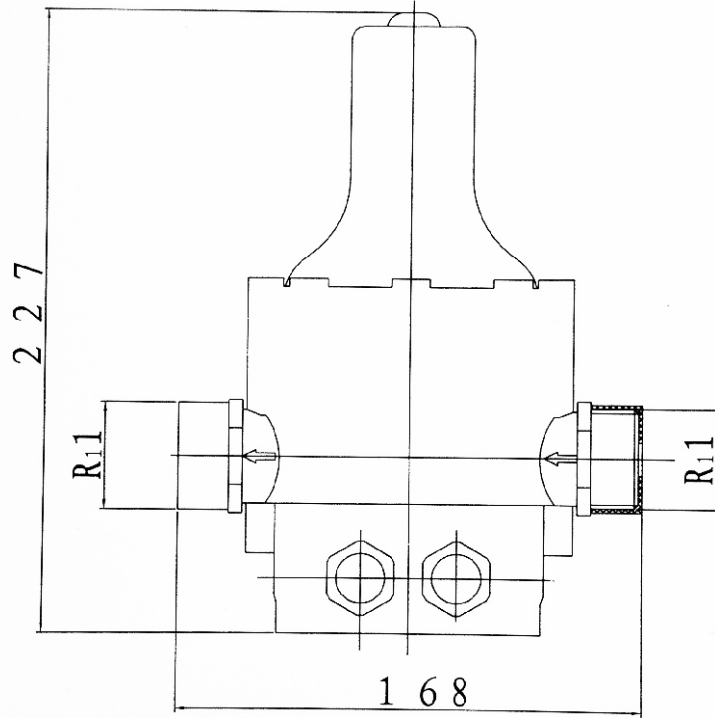
2 years subject to terms and conditions

EXPLODED DIAGRAM

EC-1/EC-1P
EC-1.1/EC-1.1P



SIZE AND SHAPE



Model	Voltage(V)	Frequency(Hz)	Current(A)	Power(W)	Max.Working Pressure(bar)	Starting up Pressure(bar)	Max working temperature(°C)	Connection thread	Protection rating
EC-1/EC-1P EC-1.1/EC-1.1P	220-240 110-120	50/60	10	1100	10	1.2/1.5/2.2	60	Inlet/Outlet male thread R1"	IP65
EC-2/EC-2P EC-2.1/EC-2.1P EC-2.2/EC-2.2P	220-240 110-120	50/60	10	1100/1500	10	1.2/1.5/2.2	60	Inlet/Outlet male thread R1"	IP65
EC-3/EC-3P EC-3.1/EC-3.1P	220-240 110-120	50/60	10	1100/1500	10	1.5/2.2	60	Inlet male thread G1"/Outlet female thread G1"	IP54
EC-5	110-230	50/60	12	1100	10	1.0-3.5	55	Inlet/Outlet male thread R1"	IP65

Model	Piece	GW(kg)	NW(kg)	Volume(m ³)	L(cm)	W(cm)	H(cm)
EC-1/EC-1P EC-1.1/EC-1.1P	1	1.07	0.95	0.007	23	17	17.8
EC-2/EC-2P EC-2.1/EC-2.1P EC-2.2/EC-2.2P	1	1.3	1.2	0.005	23	15	14
EC-3/EC-3P EC-3.1/EC-3.1P	1	1.04	0.93	0.005	25	14	13.3
EC-5	1	0.96	0.85	0.002	19.7	10.8	10.3

**110-120V/220-240V,50/60Hz,Max.pressure 10 bar.
starting pressure 1.5-3.5 bar**



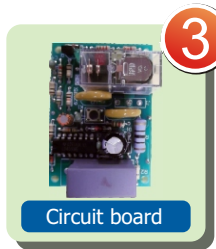
Material:reinforced fresh nylon

- a. high strength to ensure the safety using under high water pressure
- b. using food grade material to ensure no harm to health
- c. aging resistant to ensure long using-life



Material:natural rubber

- a. corrosion and aging resistance
- b. high elasticity to ensure long using life under frequent water pressure change



Material:industrial level

- a. to guarantee reliable operation in any environment
- b. excellent manufacturing to ensure accurate control and long using-life



Material:reinforced engineering plastic

- a. fire resistance to ensure safety using
- b. high strength to prevent the inside circuit board from any injury
- c. aging resistant to ensure long using-life

