



Limits of use

- Ambient temperature: Up to +40°C
- Liquid temperature: Up to +60°C
- PH value of liquid between 6.5-8.5
- Power: 50hz, single-phase 220v, three-phase 380v, fluctuated up and down 10%

Features

- The special design on this pump casing and impeller to assure relatively high flow.
- Little adjustment on the motor and impeller to make more choice and economy for the end-user.
- Widely voltage range 180-240V design to be suitable for irrigation specially.

Application

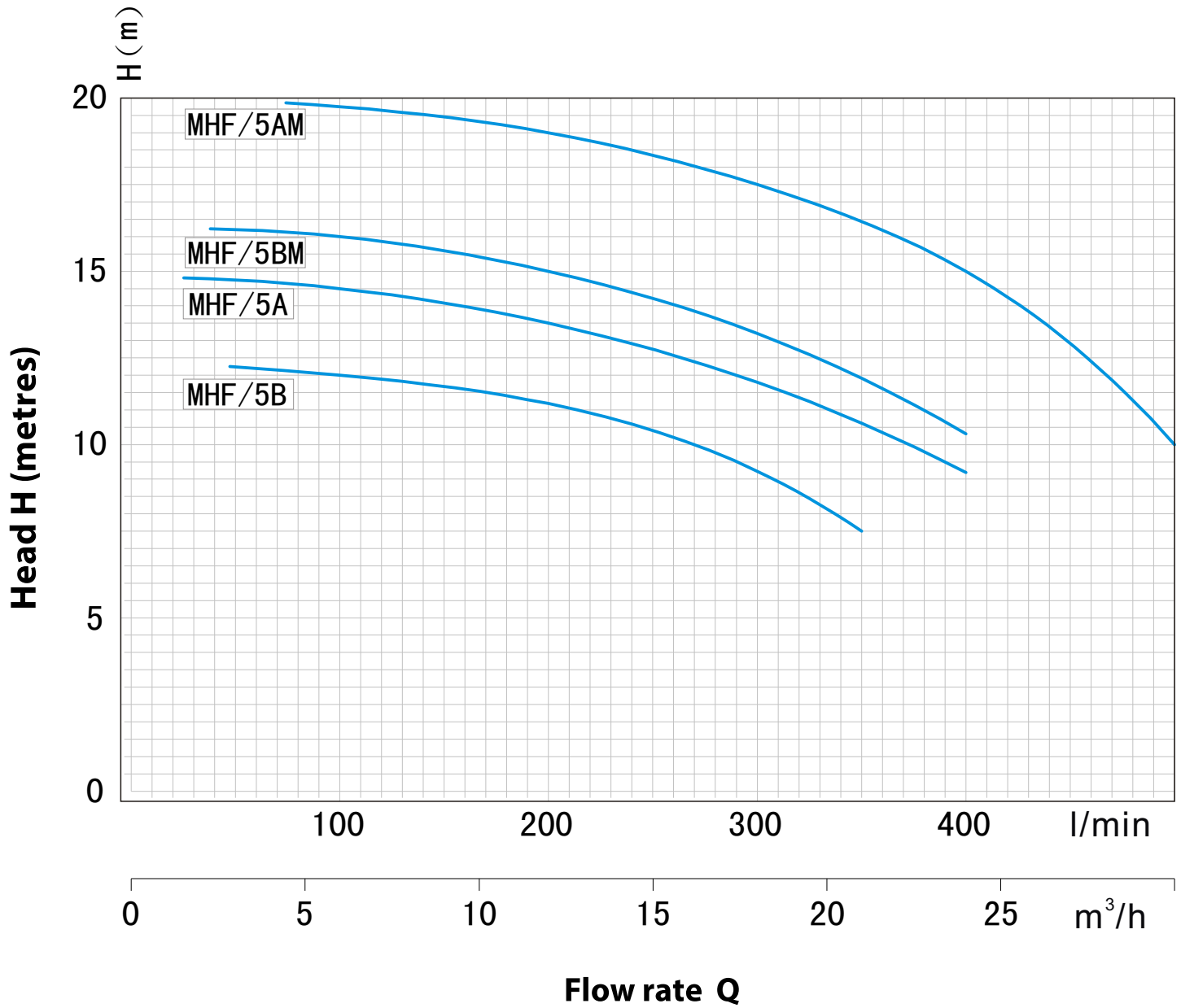
- Be used to delivery the clean water without the abrasive particles
- Be used to clean or cool the machine tools with high pressure
- Be used to pump the water for the industrial or house use from the well
- Be used to boost the water in pressurization system

Warranty

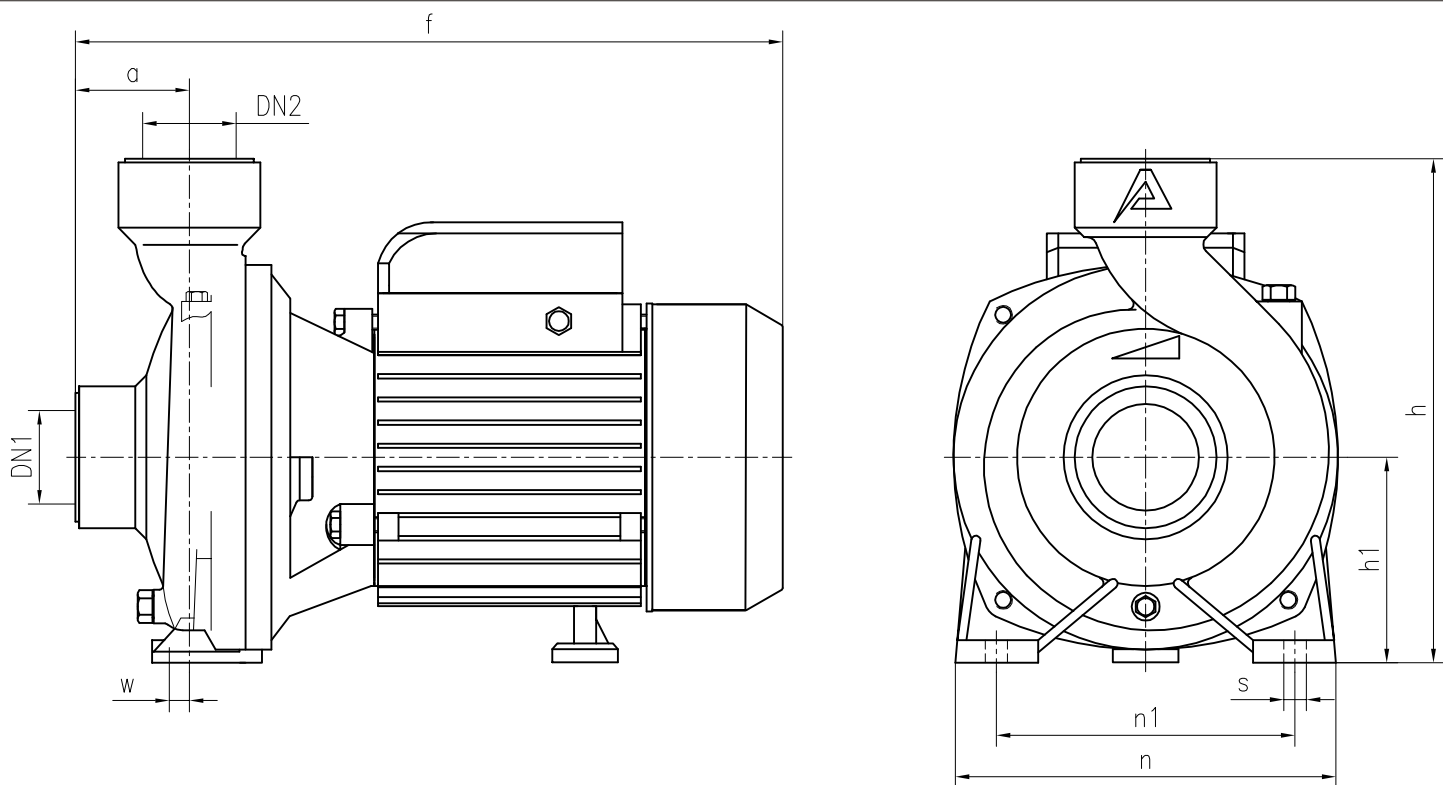
- 2 year subject to terms and conditions

CHARACTERISTIC CURVES AND PERFORMANCE DATA

50 Hz n=2850 rpm Hs=0 m







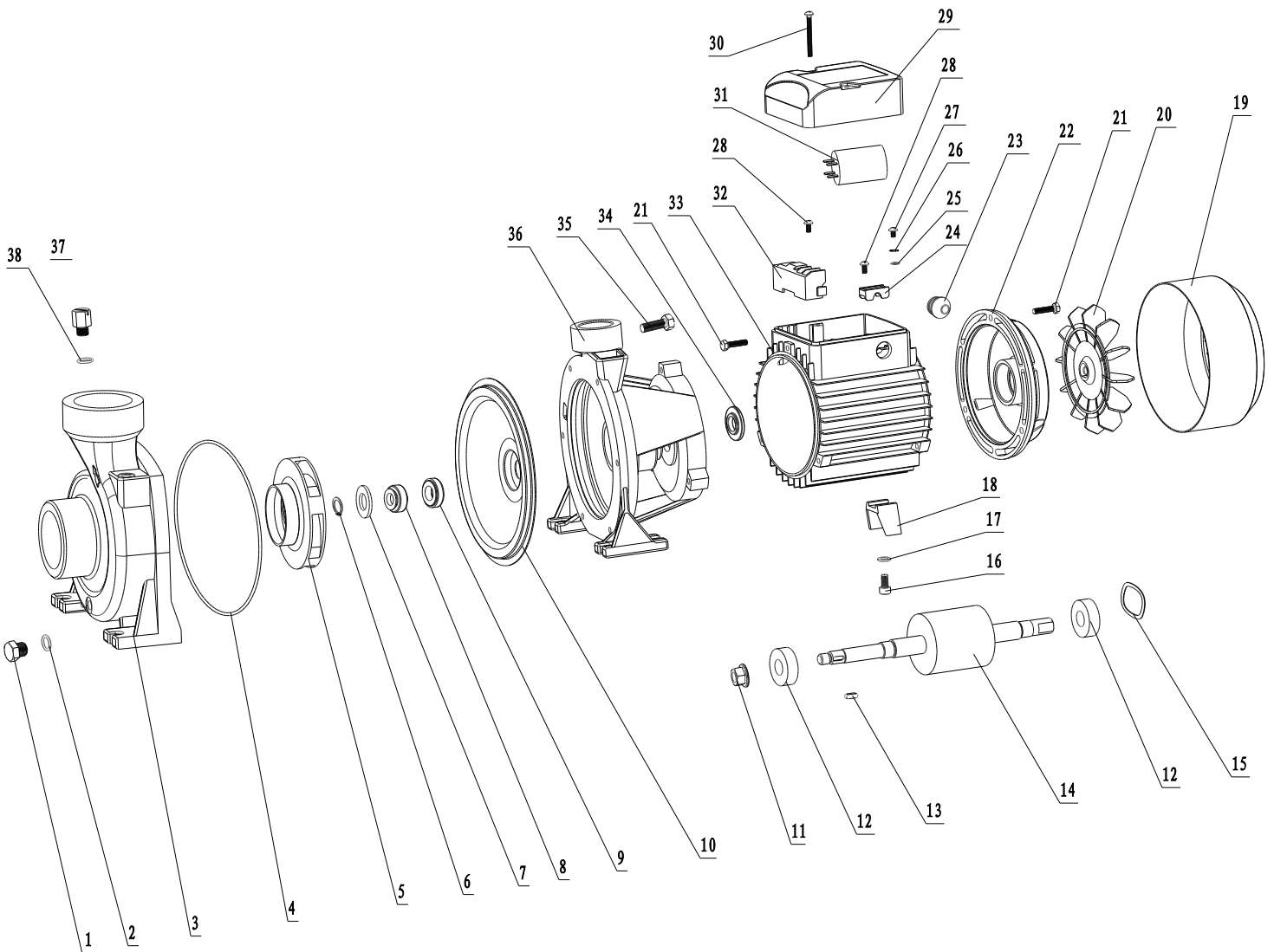
Model		Power		Q	Flow rate Q												
Single-phase	Three-phase	KW	HP		m³/h	0	3	6	9	12	15	18	21	24	30		
					l/min	0	50	100	150	200	250	300	350	400	500		
MHF/5B	MH/5B	0.75	1	H m		12.4	12.2	12	11.7	11.2	10.4	9.2	7.5				
MHF/5A	MH/5A	1.1	1.5		14.8	14.7	14.5	14	13.5	12.7	11.8	10.6	9.2				
MHF/5BM	MH/5BM	1.1	1.5		16.2	16.2	16	15.5	15	14.2	13.2	12	10.3				
MHF/5AM	MH/5AM	1.5	2		20	19.9	19.8	19.5	19	18.4	17.5	16.5	15	10			



Model		Openings		Dimensions(mm)							
Single-phase	Three-phase	DN1	DN2	a	f	h	h1	n	n1	w	s
MHF/5B	MH/5B	2"	2"	65	331	236	92	192	152	16	10
MHF/5A	MH/5A	2"	2"	65	331	236	92	192	152	16	10
MHF/5BM	MH/5BM	2"	2"	61	379	270	110	206	160	10	12
MHF/5AM	MH/5AM	2"	2"	61	379	270	110	206	160	10	12

Model	Piece	GW(kg)	NW(kg)	Volume(m ³)	L(cm)	W(cm)	H(cm)
MHF/6C	1	29.71	26.5	0.044	45.7	28.3	34.0
MHF/6CR	1	32.71	29.5	0.044	45.7	28.3	34.0
MHF/6B	1	31.4	28.8	0.044	45.7	28.3	34.0
MHF/6BR	1	34.4	31.8	0.044	45.7	28.3	34.0
MHF/6A	1	37.6	35	0.048	50.2	28.3	34.0
MHF/6AR	1	41.5	38.5	0.048	50.2	28.3	34.0
MHF/7AR	1	85	83	0.083	60.0	33.0	42.0

POS. COMPONENT	ADVANTAGE
<p>  10 Electrophoretic paint pump casing and support 8 Brass impeller </p>	<p> • <u>Anti-rust system</u> a. Use electrophoretic paint to prevent rust or jam b. To provide cleaner water c. To ensure long using-life </p>
<p>  6 Stainless steel shaft 30 Thermostability Capacitor </p>	<p> • <u>Thermostability system</u> a. Capacitor with 85°C high temperature film b. Can be used under sun exposure c. Can be used under high temperature environment </p>
<p>  14 85mm Rotor with shaft (stainless steel shaft) </p>	<p> • <u>Powerful motor system</u> a. To ensure the high power and lowest temperature rise b. Using thermal protection device to protect the motor c. Big flow and long using-life d. Wide voltage rang design motor can be used under 170 - 250 V </p>
<p>  12 Z4 class bearing </p>	<p> • <u>Low noise system</u> a. Using Z4 class bearing to ensure lowest noise b. To ensure long using-life </p>



MARQUIS Typical Water Supply System

It is strongly recommended to use this pump together with MARQUIS EC to control your water supply easily.

