

**GD360**

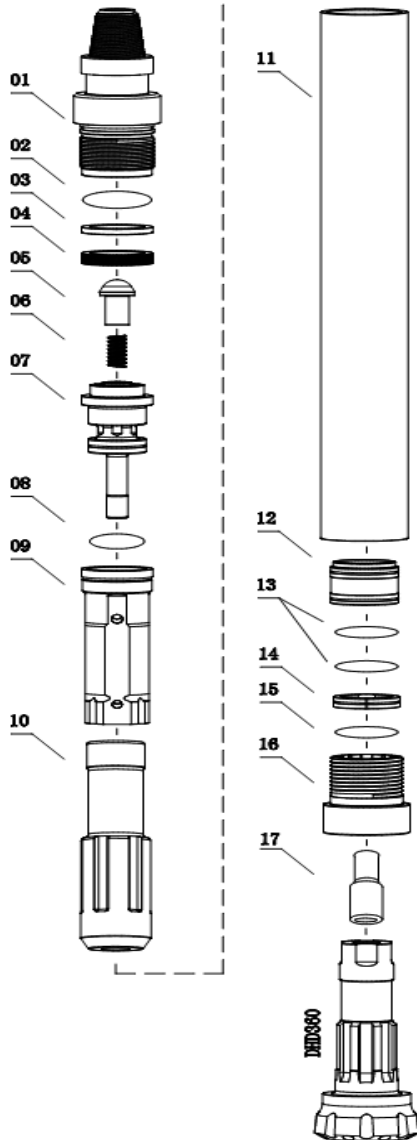


**Configuration:**

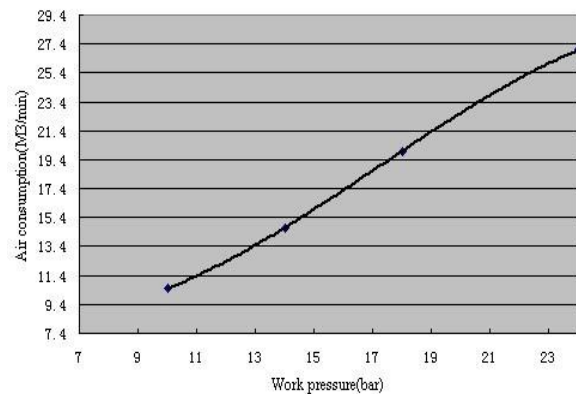
Hammer length without bits: 1277mm  
 Thread: API 3.1/2" REG  
 Outer diameter: 140mm  
 Wrench Flat: 95mm  
 Weight (kg): 107 kg

**Technical Specifications:**

Working pressure (Bar): 10 18 24  
 Air consumption (M<sup>3</sup>/min): 10.5 20 27  
 Working pressure: 10~24 bar  
 Shank style: DHD360



Replacement Parts	Weight(kg)	Part No.
01 Top sub: API 3 1/2REG	19.8	GD360-01
02 O-Ring	0.01	Ø110×3.1
03 Steel washer	0.42	GD360-06
04 Rubber washer	0.08	GD360-07
05 Check Valve Dart Spring	0.30	GD360-03
06 Spring	0.05	GD360-04
07 Rigid Valves	6.2	GD360-09
08 O-Ring	0.01	Ø80×3.1
09 Internal Cylinder	5.3	GD360-10
10 Piston	22.3	GD360-11
11 Piston Case	44.8	GD360-12
12 Guide sleeve	1.8	GD360-14
13 O-Ring	0.01	Ø100×3.1
14 Bit Retainer Ring	0.65	GD360-16
15 O-Ring	0.01	Ø105×3.1
16 Driver Sub	6.2	GD360-17
17 Foot Valve	0.07	WG42-C6



**DTH button bits (6 inches DTH hammer button bits)**

6 inches DTH hammer button bits						
Shank style	Diameter in mm	Flushing holes No.	Gauge buttons	Face buttons	Approx. weight	Part number
DHD360	152	2	8 x 17mm	8 x 14mm	22.0 kgs	DHD360-152
	165	2	8 x 18mm	9 x 16mm	26.0 kgs	DHD360-165
	171	2	8 x 18mm	10 x 16mm	27.0 kgs	DHD360-171
	190	3	9 x 18mm	11 x 16mm	28.5 kgs	DHD360-190
DHD360	203	3	9 x 18mm	12 x 16mm	29.5 kgs	DHD360-203
COP 62	152	2	8 x 17mm	8 x 14mm	23.5 kgs	COP62-152
	165	2	8 x 18mm	9 x 16mm	24.5 kgs	COP62-165
	171	2	8 x 18mm	10 x 16mm	26.5 kgs	COP62-171
	190	3	9 x 18mm	11 x 16mm	28.5 kgs	COP62-190
	203	3	9 x 18mm	12 x 16mm	32.0 kgs	COP62-203
QL 60	152	2	8 x 17mm	8 x 14mm	24.0 kgs	QL60-152
	165	2	8 x 18mm	9 x 16mm	25.0 kgs	QL60-165
	171	2	8 x 18mm	10 x 16mm	27.0 kgs	QL60-171
	190	3	9 x 18mm	11 x 16mm	29.0 kgs	QL60-190
	203	3	9 x 18mm	12 x 16mm	33.0 kgs	QL60-203
Mission 60	152	2	8 x 17mm	8 x 14mm	26.0 kgs	Mission60-152
	165	2	8 x 18mm	9 x 16mm	27.0 kgs	Mission60-165
	171	2	8 x 18mm	10 x 16mm	29.0 kgs	Mission60-171
	190	3	9 x 18mm	11 x 16mm	32.0 kgs	Mission60-190
	203	3	9 x 18mm	12 x 16mm	34.0 kgs	Mission60-203
XL 6	152	2	8 x 17mm	8 x 14mm	25.5 kgs	XL6-152
	165	2	8 x 18mm	9 x 16mm	26.8 kgs	XL6-165
	171	2	8 x 18mm	10 x 16mm	28.5 kgs	XL6-171
	190	3	9 x 18mm	11 x 16mm	31.5 kgs	XL6-190
	203	3	9 x 18mm	12 x 16mm	33.0 kgs	XL6-203
SD 6	152	2	8 x 17mm	8 x 14mm	26.0 kgs	SD6-152
	165	2	8 x 18mm	9 x 16mm	27.0 kgs	SD6-165
	171	2	8 x 18mm	10 x 16mm	29.0 kgs	SD6-171
	190	3	9 x 18mm	11 x 16mm	32.0 kgs	SD6-190
	203	3	9 x 18mm	12 x 16mm	34.0 kgs	SD6-203