



LAST
40,000HRS



2 YEAR
WARRANTY



PRODUCT SPECIFICATION



PRODUCT NAME: LED T5 TUBE

PRODUCT MODEL: UP-T58W600-M

T5 0.6M 8W (3014 LED 120PCS) 673lm AC85-265V

80% lumen maintenance at 40000 hours

2 years warranty under the normal working time



T8 0.6M Technical Details



Warm 3000K



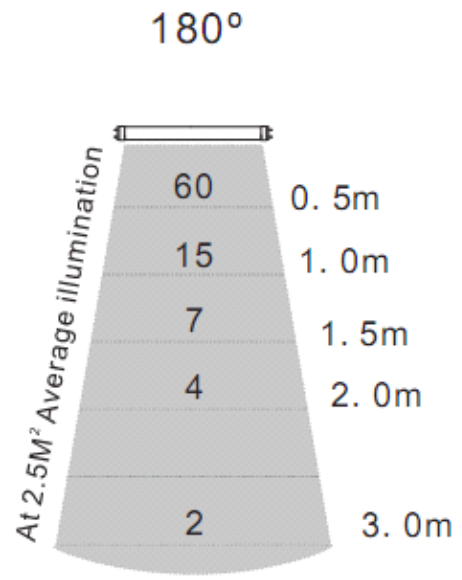
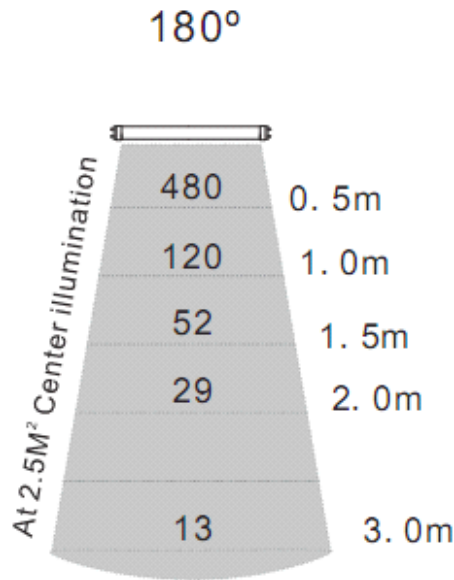
AC85-265V



8W



625 lm



T8 0.6M Technical Details



Cool 5500K



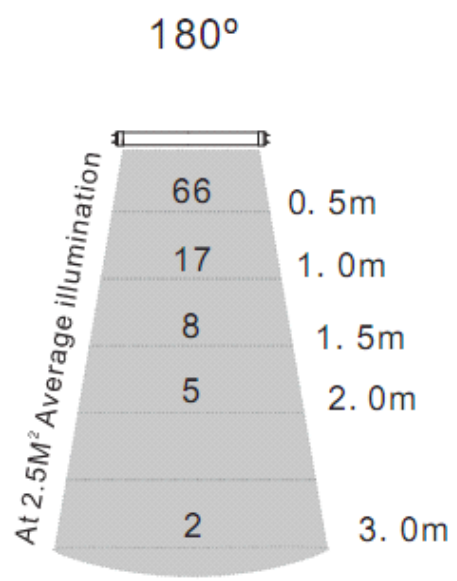
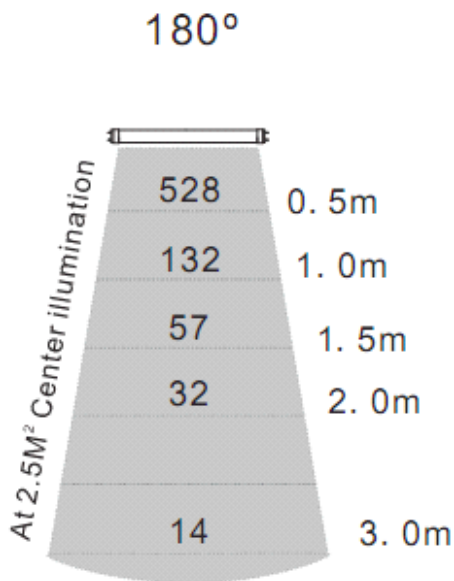
AC85-265V



8W



673 lm





LAST
40,000HRS

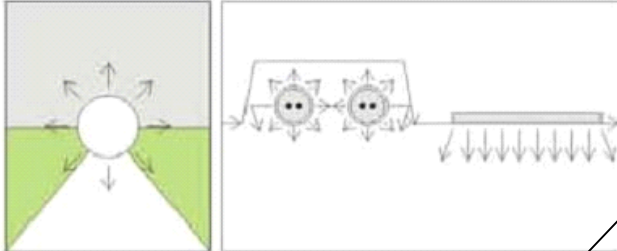


2 YEAR
WARRANTY



Product features:

High efficient utilization of lighting, no any waste .



Light source:

120pcs high lumen 3528 SMD led chip. The SMD on PCB board by SMT machine(Surface Mounting Technology),no empty , insufficient and wrong soldering,

Top quality materials:

Primary aluminium made PCB board with perfect heat dissipation. Good quality PC cover of high light transmittance and excellent heat-resistant. Isolated power supply with 0.93PF value

Unique milky white cover

The milky white cover bring soft light ,be good for reading, or other office lighting apply applications .

No dark

Improved internal design , compared with old design , no dark , higher efficiency than before .

Certificates:

CE,RoHS ,including Europe test standard EN60968 EN61547 EN55015 EN61000

Mercury and UV free:

Free from Mercury ,lead hexavalent Chromium and all other heavy metals considered toxic to be environment and our food chain. unlike halogen bulb,LED tube is free from UV light ,this means no skin damage and fading of furnishings

Color temperature:

warm white :2800-3000K
natural white: 4000-4500K
Pure white: 5500-6000K
Cool white : 6000-6500K



LAST
40,000HRS



2 YEAR
WARRANTY



IP40



RoHS
Compliant

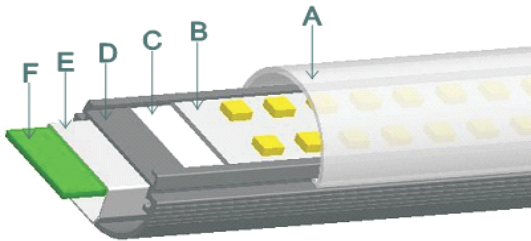


T5 0.6M Fully Preassembled

TO REDUCE INSTALL TIME T5 1.2M COME FULLY PREASSEMBLED AS SHOWN IN THE DIAGRAM BELOW

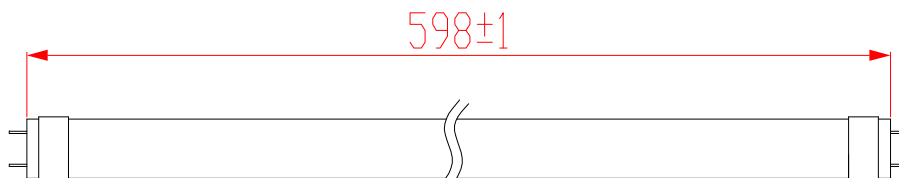


Structure Diagram



- A. PC cover
- B. Aluminium PCB board
- C. Heat conduction glue
- D. Aluminium board
- E. Mylar
- F. Led driver

Product Dimension: (Unit: mm)





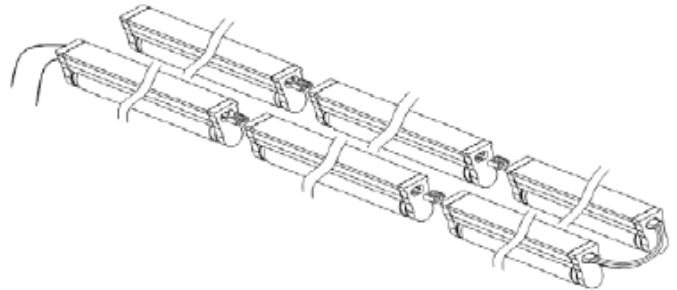
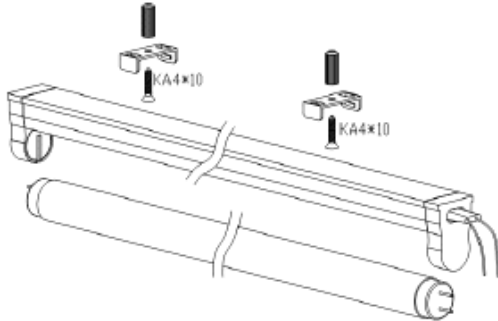
LAST
40,000HRS



2 YEAR
WARRANTY

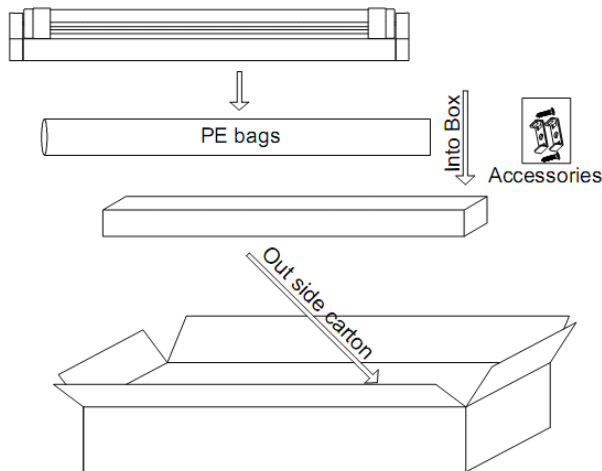


Installation Diagram:



Packing:

Box dimension: 620mm(L) x 28mm(W) x 44mm(H)



Packing Notice

1:Qty/ctn:25pcs

2:Gross Weight: 11.0Kg

END



UP-SHINE LIGHTING CO.,LTD.

Tel: +86-0755-29197332

Fax:+86-0755-29197301

Web: www.upshineled.com

Add: 7th floor C1 building Guang Hao Feng Industrial Park Xi xiang town, Baoan District Shenzhen City, P.R China.

APPROVED BY:

